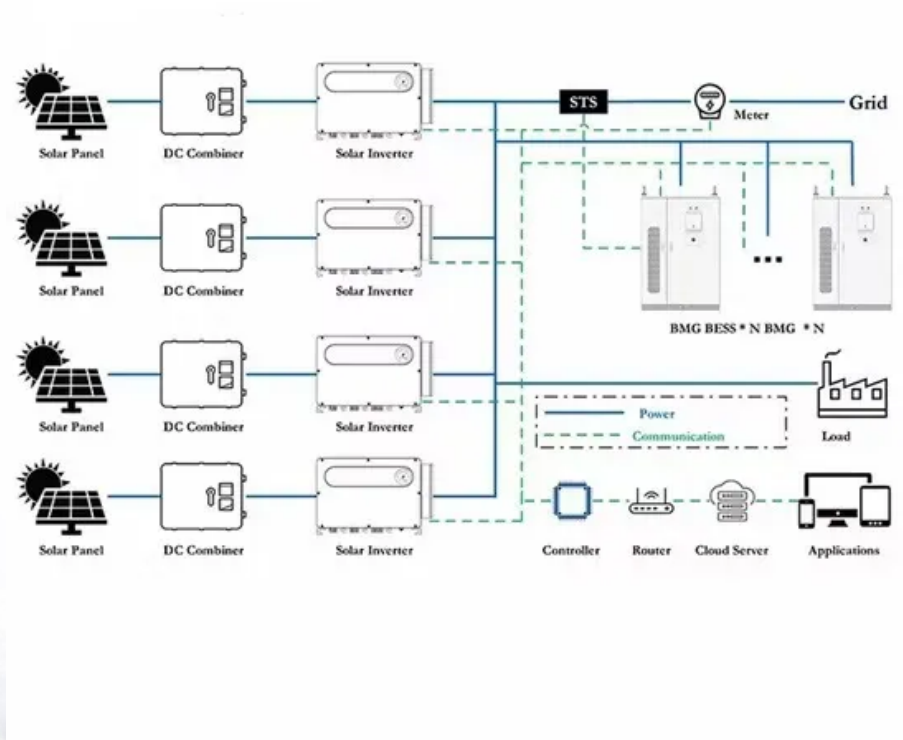


# 2019 international renewable and sustainable energy conference





## 2019 international renewable and sustainable energy conference

---



### **IRENA - International Renewable Energy Agency**

The International Renewable Energy Agency (IRENA) convenes its 28th Council meeting in Abu Dhabi today, the last before the 29th Conference of the Parties (COP29). Focus on Delivering ...

### **2019 International Renewable Energy Conference**

REN21 has announce that The Republic of Korea will be the host of the 2019 International Renewable Energy Conference (IREC). Korea's ambition to phase out nuclear and coal and to increase levels of renewable energy in its national energy mix were key determining factors in its selection.



### **2019 7th International Renewable and Sustainable Energy ...**

Published in: 2019 7th International Renewable and Sustainable Energy Conference (IRSEC) Date of Conference: 27-30 November 2019 Date Added to IEEE Xplore : 27 April 2020

### [International Conference on Renewable Energy](#)

International Conference on Renewable Energy series addresses research and development in renewable energy technologies including energy efficiency. It is an annual meeting planned to be held in a different countries, initially within



Europe, with Asia, Middle East, Africa and Latin America being highlighted as target regions for the conference.



### A review of renewable energy sources, sustainability

Critical review on the current scenario and significance of crude glycerol resulting from biodiesel industry towards more sustainable renewable energy industry. Renewable and Sustainable Energy Reviews, 16 (open in a new window), 2671-2686.10.1016/j.rser

### Renewable Energy Conferences in Japan 2024/2025/2026

Renewable Energy Conferences in Japan 2024 2025 2026 is for the researchers, scientists, scholars, engineers, academic, scientific and university practitioners to present research activities that might want to attend events, meetings, seminars, congresses



### Top 10: Energy Conferences for Industry Professionals

The top, must-attend energy conferences for executive decision-makers and key figures within the energy industry 4. Intersolar Europe Where: Munich, Germany When: June 14-16 Intersolar Europe 2023 will gather global solar industry manufacturers suppliers



## Renewable and Sustainable Energy Reviews , Journal

Read the latest articles of Renewable and Sustainable Energy Reviews at ScienceDirect , Elsevier's leading platform of peer-reviewed scholarly literature The mission of Renewable and Sustainable Energy Reviews is to communicate the most interesting and relevant critical thinking in renewable and sustainable energy in order to bring together the research community, the ...



## 17th International Renewable Energy Storage and Systems (IRES) Conference

The 17th International Renewable Energy Storage and Systems (IRES) Conference takes place at Messe Düsseldorf from November 28 to 30. IRES is the world's largest refereed science and technology conference in storage and related systems technologies for renewable energy. Fraunhofer ISE is a partner of the IRES Conference 2023.

## 2019 1st International Conference on Sustainable Renewable Energy

Read all the papers in 2019 1st International Conference on Sustainable Renewable Energy Systems and Applications (ICSRESA) , IEEE Conference , IEEE Xplore Need Help? US & Canada: +1 800 678 4333 Worldwide: +1 732 981 0060 Contact & Support



## 2018 6th International Renewable and Sustainable Energy Conference ...

The Sixth Edition of the International Renewable and Sustainable Energy Conference (IRSEC'18) aims to provide an international forum to facilitate discussion and knowledge exchange of the state-of-the-art research findings and ...



### Sustainable Energy Transition for Renewable and Low Carbon ...

Oil reduced from 46.2% in 1973 to 30.9% in 2019. Natural gas increased from 16.2% of consumption in 1973 to 23.1%. Nuclear increased from 0.9 to 5% while hydro increased from 1.8 to 2.5% of total primary energy consumption in 2019 (International Energy).



### 2019 7th International Renewable and Sustainable Energy ...

2019 7th International Renewable and Sustainable Energy Conference (IRSEC) Abstract: Presents the front cover or splash screen of the proceedings record. Published in: 2019 7th ...

### International Renewable and Sustainable Energy Conference 2016

The fourth Edition of the International Renewable and Sustainable Energy Conference (IRSEC'16) aims to provide an international forum to facilitate discussion and knowledge exchange of the state-of-the-art research findings and ...





### Renewable energy , UNEP

Renewables on the rise For the 760 million people in the world who lack access to electricity, the introduction of modern clean energy solutions can enable vital services such as improved healthcare, better education, and internet access, thus creating new jobs, improving livelihoods, and reducing poverty. Driven by the global energy crisis and policy momentum, renewable ...

### 2019 3rd International Workshop on Renewable Energy and

This conference provided an excellent opportunity for everyone involved to learn and discuss about sustainable development and green technology to the following areas: ...



### Applications



### Home

International Conference on Energy, Resources, Environment and Sustainable Development (ERESD2019) will be held on May 31- June 3, 2019 at Crownee Plaza Xuzhou Dalong Lake, China. This conference is initiated by China University of Mining and Technology (CUMT) in partnership with China Coal Society (CCS) and International Higher Education Alliance for ...

### Hybrid Renewable Energy Systems Overview , SpringerLink

In: Proceedings of 2015 IEEE international renewable and sustainable energy conference, IRSEC 2015, art. no. 7455060 Google Scholar Assaf J, Shabani B (2019) A novel hybrid renewable solar energy solution for continuous heat and power supply to





[Renewable energy and jobs: Annual review 2024](#)

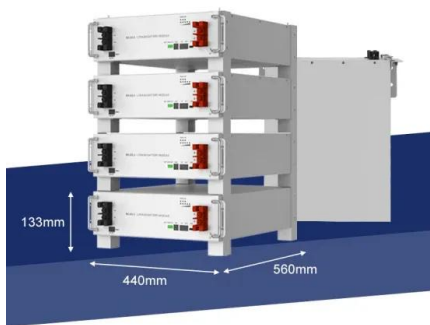
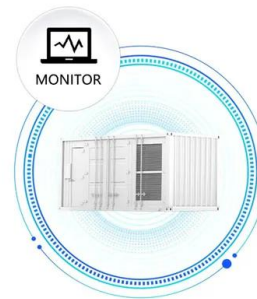
The eleventh edition of IRENA's Renewable energy and jobs: Annual review - the fourth consecutive report produced in collaboration with the International Labour Organization (ILO) - provides the latest data and estimates of renewable energy employment globally.



**2018 6th International Renewable and Sustainable Energy Conference**

Read all the papers in 2018 6th International Renewable and Sustainable Energy Conference (IRSEC) , IEEE Conference , IEEE Xplore Need Help? US & Canada: +1 800 678 4333  
Worldwide: +1 732 981 0060 Contact & Support

SUPPORT REAL-TIME ONLINE MONITORING OF SYSTEM STATUS

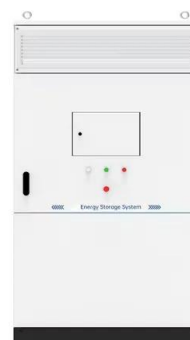


**International Renewable Energy Conference , Sustainable**

International Renewable Energy Conference (IREC) acts as a common platform for government, private sector and civil society leaders to jointly address the goal of ...

**International Conference on Sustainable and Renewable Energy**

Browse all the proceedings under International Conference on Sustainable and Renewable Energy Engineering (ICSREE) , IEEE Conference , IEEE Xplore Need Help? US & Canada: +1 800 678 4333 Worldwide: +1 732 981 0060 Contact & Support





### Sustainable Development in Energy and Environment

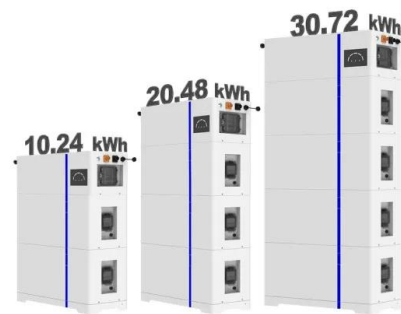
This book presents select peer-reviewed proceedings of the International Conference on Sustainable Development in Energy and Environment 2019 and focuses on novel research in ...



### Sustainable Development in Energy and Environment

This book presents select peer-reviewed proceedings of the International Conference on Sustainable Development in Energy and Environment (ICSDEE) 2019. The focus is on novel research in renewable energy resources and environmental issues and their implementation in augmenting sustainable development.

### ESS



### Volume 2255: The 4th International Tropical Renewable Energy Conference

Volume 2255 is the proceedings of The 4th International Tropical Renewable Energy Conference (i-TREC) 2019 (14-16 August 2019, Bali, Indonesia) Book Book type Softcover Book, \$475.00 Title information Details Summary ...

### Energy transitions 2024

Join industry experts, decision makers and senior leaders to explore the race for energy sovereignty, affordable energy infrastructure, industrial transition pathways, the future of renewable technologies and critical materials.





### **IRENA - International Renewable Energy Agency**

Tripling renewable energy capacity by 2030 is both an environmental necessity and a pathway to a more equitable, prosperous, and resilient world, with benefits in sustainable development, economic growth, social equity, and health. The International Renewable

### **2019 4th International Conference on Power and Renewable Energy ...**

Read all the papers in 2019 4th International Conference on Power and Renewable Energy (ICPRE) , IEEE Conference , IEEE Xplore Need Help? US & Canada: +1 800 678 4333  
Worldwide: +1 732 981 0060 Contact & Support



### [International Conference on Renewable Energy](#)

ICREN2019 will include articles and presentation on the latest research on renewable energy technologies, grid interactions, energy efficiency, data analytics, economics and finance, ...



### **ICREEC 2019: Proceedings of the 1st International Conference on**

This book highlights peer reviewed articles from the 1st International Conference on Renewable Energy and Energy Conversion, ICREEC 2019, held at Oran in Algeria. It presents recent ...





## 2019 7th International Renewable and Sustainable Energy ...

Read all the papers in 2019 7th International Renewable and Sustainable Energy Conference (IRSEC) , IEEE Conference , IEEE Xplore Need Help? US & Canada: +1 800 678 4333 ...



### A review on environmental impacts of renewable energy for sustainable

The share of renewable energy in final energy consumption must rise from 19% in 2017 to 65% by 2050 to achieve the 2 C climate goal (International Renewable capacity statistics 2019 (IRENA)). The proportion of renewables in power production should be over 85% by that time, up from an expected 25% in 2017 (Solaun and Cerdá 2019 ).



## Contact Us

---

For catalog requests, pricing, or partnerships, please visit:  
<https://vdbconstruction.co.za>