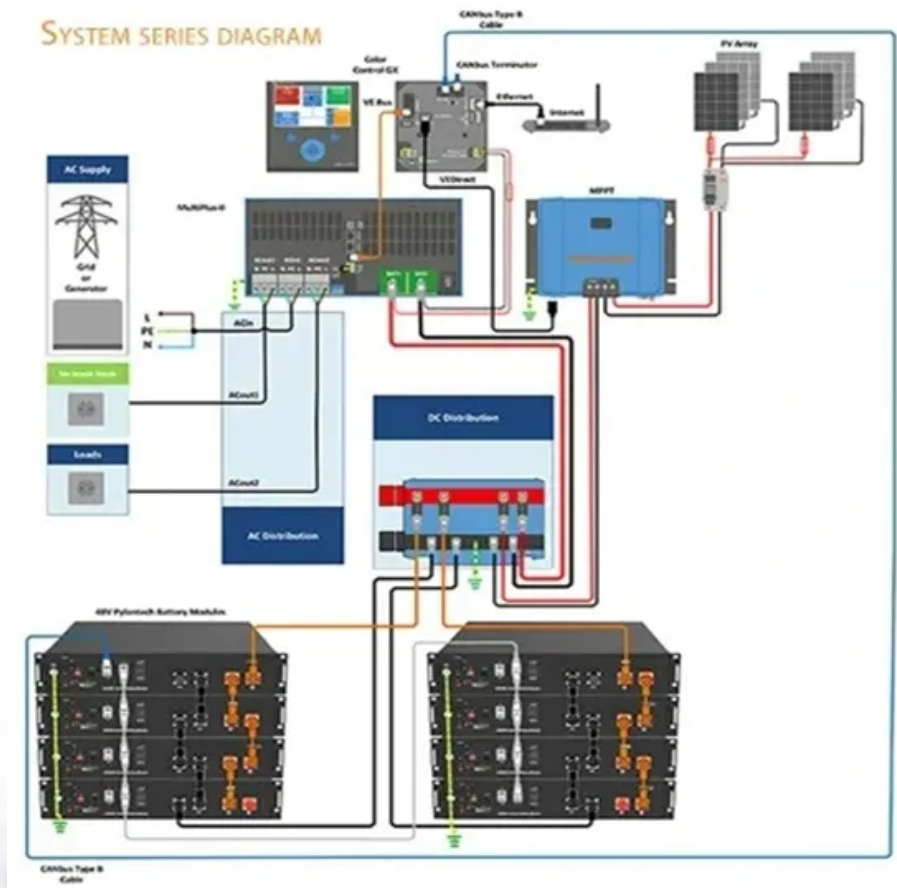


Average home energy storage price per 500MW in Luxembourg





Overview

How to manage gas and electricity costs in Luxembourg?

The cost of gas and electricity in Luxembourg constitutes one of the primary fixed expenses that households and businesses must manage monthly. Understanding the various providers and securing the best prices are essential steps for effectively managing these costs.

How much does gas cost in Luxembourg?

At the beginning of 2024, the gas price in Luxembourg was approximately 0.0883 euros per kilowatt-hour. This represents a considerable increase since mid-2021. Despite this rise, Luxembourg's gas prices remain lower than the European average, which stood at 0.1104 euros per kilowatt-hour.

How do electricity and gas providers compare in Luxembourg?

There is a wide variety of electricity and gas providers in Luxembourg, making comparison a complex task. Many factors influence the decision beyond the price per kilowatt-hour. For instance, the final price comprises both a fixed part and a variable part.

What factors affect gas prices in Luxembourg?

The prices of gas in Luxembourg are influenced by a combination of global, regional, and local factors. On a global scale, international gas and oil prices play a crucial role. Geopolitical tensions in gas-producing regions also have a significant impact.

What is the role of support and subsidies in Luxembourg?

In Luxembourg, support and subsidies play a crucial role in ensuring equitable access to essential utilities like gas and electricity. These initiatives aim to alleviate energy costs for vulnerable households, promote energy efficiency measures, and encourage the adoption of renewable energy sources.



Average home energy storage price per 500MW in Luxembourg



THE ENERGY TRANSITION IN LUXEMBOURG

Forecast of future peak power on the Creos grid
Forecast of the future "gross" peak power demand National electricity generation and its contribution has to be analysed and considered!

Cost Projections for Utility-Scale Battery Storage: 2021 ...

Executive Summary In this work we describe the development of cost and performance projections for utility-scale lithium-ion battery systems, with a focus on 4-hour duration ...



What is the Cost of BESS per MW? Trends and 2025 Forecast

Introduction: The Ever-Changing Cost of Battery Energy Storage Systems (BESS) Battery Energy Storage Systems (BESS) are a game-changer in renewable energy. ...

luxembourg city home photovoltaic energy storage manufacturer

The number of home battery energy storage systems across Germany has already passed the 300,000 installation mark with average system capacity in 2020 about 8.5kWh.



ENERGY STORAGE COSTS LUXEMBOURG CITY

The cost of a home energy storage system in Luxembourg varies based on factors such as storage capacity, brand, and installation specifics. On average, including installation, prices ...



Luxembourg City Energy Storage Power Price Trends Solutions ...

The demand for reliable battery storage systems has surged as the country pushes toward renewable energy integration and grid stability. But what factors shape these prices, and how ...



Luxembourg city times energy storage

As gas prices are rising in Luxembourg, it could be expected that electricity prices would increase significantly in the winter of 2022-2023. However, the Luxembourg government has decided, in ...





LUXEMBOURG CITY ENERGY STORAGE TECHNOLOGY

The cost of a home energy storage system in Luxembourg varies based on factors such as storage capacity, brand, and installation specifics. On average, including installation, prices ...



LUXEMBOURG CITY ENERGY STORAGE DEVELOPMENT PLAN

The cost of a home energy storage system in Luxembourg varies based on factors such as storage capacity, brand, and installation specifics. On average, including installation, prices ...

OVERVIEW OF THE ENERGY STORAGE INDUSTRY IN LUXEMBOURG

Energy storage power supply cost The 2022 Cost and Performance Assessment provides the levelized cost of storage (LCOS). The two metrics determine the average price that a unit of ...



BESS prices in US market to fall a further 18% in ...

The average 2024 price of a BESS 20-foot DC container in the US is expected to come down to US\$148/kWh, down from US\$180/kWh last year, a similar fall to that seen in 2023, as reported by Energy-Storage.news, when CEA launched ...



Storage is booming and batteries are cheaper than ...

The U.S. energy storage market is stronger than ever, and the cost of the most commonly used battery chemistry is trending downward each year. Can we keep going like this, or are we in a bubble bound to burst? ...



LUXEMBOURG ENERGY COUNTRY PROFILE

The cost of a home energy storage system in Luxembourg varies based on factors such as storage capacity, brand, and installation specifics. On average, including installation, prices ...

Consumer Electricity Prices for Households in Europe

Welcome to our tracker on consumer energy prices in Europe, sourced from the latest Eurostat data covering the second half of 2024. On this page, we focus on Electricity ...



Luxembourg city energy storage power price trend

Luxembourg's integrated national energy and climate plan (PNEC) is an important element of the Grand Duchy's climate and energy policy. 2023 and 2024, reaching a level of EUR45/t CO2 ...



Energy storage

The cost of a home energy storage system in Luxembourg varies based on factors such as storage capacity, brand, and installation specifics. On average, including installation, prices range from EUR5,000 to EUR15,000.



12.8V6Ah

- Nominal voltage (V):12.8
- Nominal capacity (Ah):6
- Rated energy (Wh):76.8
- Maximum charging voltage (V):14.6
- Maximum charging current (A):6
- Floating charge voltage (V):13.6-13.8
- Maximum continuous discharge current (A):10
- Maximum peak discharge current @ 10 seconds (A):20
- Maximum load power (W):100
- Discharge cut-off voltage (V):10.8
- Charging temperature (°C):-10-+50
- Discharge temperature (°C): -20-+60
- Working humidity: $\le 95\%$ RH (non condensing)
- Number of cycles (25 °C, 0.5C, 100%DoD): >2000
- Cell combination mode: 32700-4s1p
- Terminal specification: T2 (6.3mm)
- Protection grade: IP65
- Overall dimension (mm):50*70*107mm
- Reference weight (kg):0.7
- Certification: un38.3/msds

Key factors impacting energy storage pricing to start ...

Anza published its inaugural quarterly Energy Storage Pricing Insights Report this week to provide an overview of median list-price trends for battery energy storage systems based on recent data available on the Anza ...

LUXEMBOURG IEA PARTNERSHIP ADDRESSES ENERGY ...

The cost of a home energy storage system in Luxembourg varies based on factors such as storage capacity, brand, and installation specifics. On average, including installation, prices ...



Cost Projections for Utility-Scale Battery Storage: 2023 ...

Executive Summary In this work we describe the development of cost and performance projections for utility-scale lithium-ion battery systems, with a focus on 4-hour duration ...



500MW/2GWh! Grid connected energy storage power stations ...

The first batch of units of China Huadian Group's 500MW/2GWh grid connected energy storage power station in Kashgar, Xinjiang, have been connected to the grid, ushering ...



ENERGY STORAGE COSTS LUXEMBOURG CITY

According to BloombergNEF's recently published Energy Storage System Cost Survey 2024, the prices of turnkey energy storage systems fell 40% year-on-year from 2023 to a global average ...

What Does Green Energy Storage Cost in 2025?

In 2025, you're looking at an average cost of about \$152 per kilowatt-hour (kWh) for lithium-ion battery packs, which represents a 7% increase since 2021. Energy storage systems (ESS) for four-hour durations exceed \$300/kWh, marking the ...



LUXEMBOURG CITY ENERGY STORAGE PLANT SOLAR ...

The cost of a home energy storage system in Luxembourg varies based on factors such as storage capacity, brand, and installation specifics. On average, including installation, prices ...





What Is The Current Average Cost Of Energy Storage Systems In ...

In 2025, the average energy storage cost ranges from \$200 to \$400 per kWh, with total system prices varying by technology, region, and installation factors.



Heating and Electricity Prices and Bills in Luxembourg ...

However, Luxembourg has managed to keep its electricity prices much lower than the European average, offering a degree of relief to its residents and businesses.

LUXEMBOURG CITY CONTAINERIZED ENERGY STORAGE ...

The cost of a home energy storage system in Luxembourg varies based on factors such as storage capacity, brand, and installation specifics. On average, including installation, prices ...



Cost of electricity by source

Levelized cost: With increasingly widespread implementation of renewable energy sources, costs have declined, most notably for energy generated by solar panels. [3][4] Levelized cost of energy (LCOE) is a measure of the average net present ...



Utility-Scale Battery Storage , Electricity , 2022 , ATB , NREL

This inverse behavior is observed for all energy storage technologies and highlights the importance of distinguishing the two types of battery capacity when discussing the cost of ...



Utility-Scale Battery Storage , Electricity , 2022 , ATB

This inverse behavior is observed for all energy storage technologies and highlights the importance of distinguishing the two types of battery capacity when discussing the cost of energy storage. Figure 1. 2021 U.S. utility-scale LIB ...



Germany concludes solar-plus-storage tender with average price ...

The final tariffs ranged from EURO.077/kWh to EURO.0878/kWh, with an average price of EURO.08/kWh. Through these tenders, the Bundesnetzagentur mostly selects PV projects ...



IRENA - International Renewable Energy Agency

Additional notes: Capacity per capita and public investments SDGs only apply to developing areas. Energy self-sufficiency has been defined as total primary energy production divided by ...





Contact Us

For catalog requests, pricing, or partnerships, please visit:
<https://vdbconstruction.co.za>