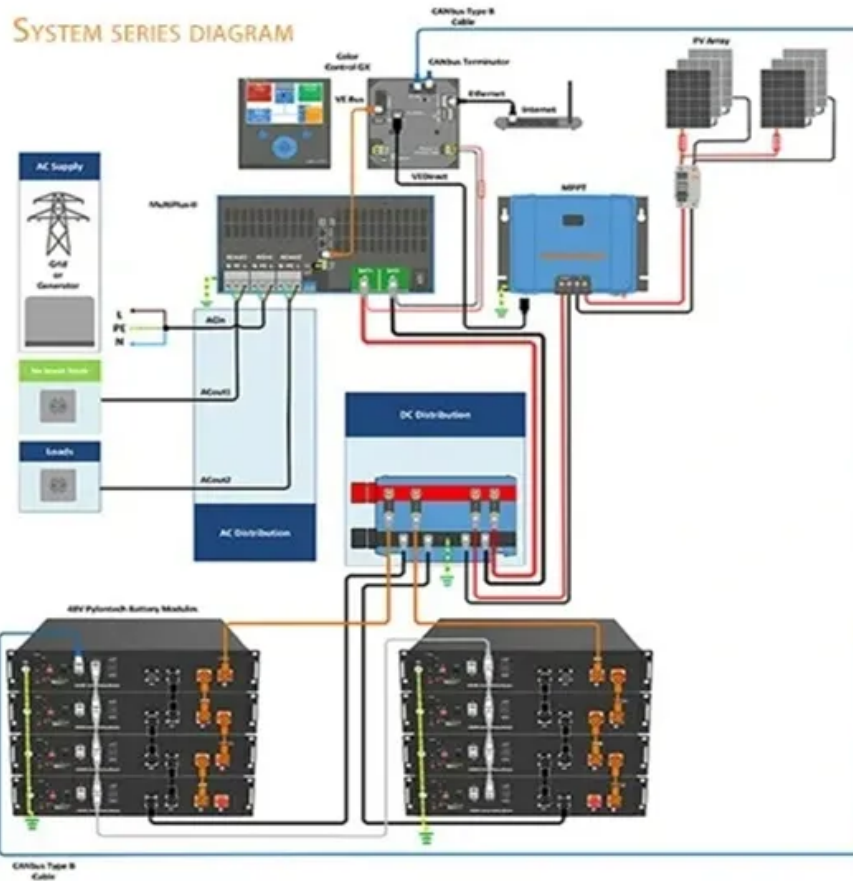


Average home energy storage price per 800kW in Nepal





Overview

Expansion of the clean energy generation from around 1,400 MW to 15,000 MW. Mini/micro-hydropower, solar, wind, and bio-energy should contribute 5-10% of the generated energy; of which 5,000 MW is an unconditional target.

Expansion of the clean energy generation from around 1,400 MW to 15,000 MW. Mini/micro-hydropower, solar, wind, and bio-energy should contribute 5-10% of the generated energy; of which 5,000 MW is an unconditional target.

ergy consumption in different sectors viz. Residential, Commercial, Industrial etc. The Overall energy consumption of this fiscal year 079/80 is estimated at 532.42PJ which is 16.81% lower than the consumption of 640 PJ in previous year (FY 078/79). Energy resources of Nepal is classified as.

The Nepal residential energy storage market is witnessing growth driven by increasing electricity demand, unreliable grid infrastructure, and a growing focus on renewable energy sources. With frequent power outages in many areas, homeowners are turning to energy storage solutions to ensure.

Up to 20 units Rs 4.00/unit, for 21-30 units NRs 7.30/unit. But, for energy consumption above 30 units, consumption from unit itself shall be charged at Rs 7.30/ unit. NRs 7.30/unit for 0-50 units and NRs 8.60/unit for 51-150 units. NRs 8.60/unit for 0-150 units and NRs 9.50/unit for 51-250 units.

Rated capacity of hydropower projects to be eligible for local currency PPA = any capacity
Rated capacity of hydropower projects to be eligible for foreign currency PPA = above 100 MW
Maximum power purchase rate for energy = NEA's rate decided for ROR /PROR/Storage projects than 2 hours, 2 to less.

“Energy Storage: Nepalese Perspective”. This 990 MW installed capacity might fetch only 350 to 400 MW during Winter. Very poor demand load factor asking high installed capacity. Overall installed capacity lower than demand 990 MW Vs. 1508 MW. The single source has high seasonality with less than.



Average home energy storage price per 800kW in Nepal

[Energy Storage System Cost Survey 2022](#)

Turnkey energy storage system prices in BloombergNEF's 2022 survey range from \$212 per kilowatt-hour (kWh) to \$575/kWh, with a global average price for a four-hour system rising by 27% from last year to \$324/kWh. Rising raw ...



Utility-Scale Battery Storage , Electricity , 2023 , ATB

Base year installed capital costs for BESS decrease with duration (for direct storage, measured in \$/kWh), while system costs (in \$/kW) increase. This inverse behavior is observed for all energy storage technologies and highlights the ...



Electricity Independence of Nepal: Generation Expansion ...

To carry out least cost generation expansion planning for Nepal under various demand scenarios and estimate the capacity, investment needs and tradable surplus energy.

Nepal Residential Energy Storage Market (2025-2031) , Share

Overall, the residential energy storage market in Nepal is expected to continue expanding as consumers seek reliable and sustainable energy solutions for their homes.



Cost of Solar Battery Storage: A Complete Pricing ...

Cost of solar battery storage systems in India - Explore the upfront and long-term costs along with available financing options for residential solar batteries.



[Energy Storage Cost and Performance Database](#)

hydrogen energy storage pumped storage
hydropower gravitational energy storage
compressed air energy storage thermal energy storage
For more information about each, as well as the related cost estimates, please click on ...



Everything You Want To Know About Solar Power in ...

Solar energy in the context of Nepal Nepal receives optimal sunlight of approximately 300 days on average during the year with a total solar radiation of 3.6 - 6.2 kWh / m² / day with an average of 4.7 kWh / m² / day, making solar ...





Electricity New Price Rate Nepal Electricity Bidyut ...

Nepal Electricity Authority recently published the new electricity tariff rate. All the New Electricity Tariff rates are given below. Electricity new rate.



Utility-Scale Battery Storage , Electricity , 2024 , ATB , NREL

The battery storage technologies do not calculate levelized cost of energy (LCOE) or levelized cost of storage (LCOS) and so do not use financial assumptions. Therefore, all parameters are ...

Nepal Energy Storage Systems Market (2025-2031) , Trends & Size

Energy storage technologies like lithium-ion batteries, pumped hydro storage, and flywheel systems are gaining traction in Nepal, offering solutions for grid stability, peak shaving, and ...



Residential Battery Storage , Electricity , 2024 , ATB

The battery storage technologies do not calculate levelized cost of energy (LCOE) or levelized cost of storage (LCOS) and so do not use financial assumptions. Therefore, all parameters are the same for the research and development ...





How Much Does Commercial Energy Storage Cost?

The cost of energy storage is typically measured in dollars per kilowatt-hour (kWh) of storage capacity. According to the same BloombergNEF report, the average cost of lithium-ion batteries was \$132 per kWh in 2021.



Lithium-ion battery prices drop to USD 115 per kWh in ...

The global average price of lithium-ion battery packs has fallen by 20% year-on-year to USD 115 (EUR 109) per kWh in 2024, marking the steepest decline since 2017, according to BloombergNEF's annual ...

Everything You Want To Know About Solar Power in Nepal

Solar energy in the context of Nepal Nepal receives optimal sunlight of approximately 300 days on average during the year with a total solar radiation of 3.6 - 6.2 kWh / m2 / day with an average ...



TAX FREE

ENERGY STORAGE SYSTEM

Product Model
HJ-ESS-215A(100KW/215KWh)
HJ-ESS-115A(50KW 115KWh)

Dimensions
1600*1280*2200mm
1600*1200*2000mm

Rated Battery Capacity
215KWH/115KWH

Battery Cooling Method
Air Cooled/Liquid Cooled

Nepal's Solar Power Potential is 432 GW, Tenfold Higher than ...

Kathmandu; Various studies have shown that due to sufficient sunlight, there is great potential for solar power generation in Nepal. According to the "Energy" report released ...



Renewable Energy Cost Analysis: Hydropower

Renewable energy has gone mainstream, accounting for the majority of capacity additions in power generation today. Tens of gigawatts of wind, hydropower and solar photovoltaic capacity ...



???????? ??

???: ? ?????????? ?????????? ???? ??? ?????? ??
????????- ??????: ???? ??????? ??? ??? ????? ? ? ??? ?
??? ????????? ?? ?? ?????? ??. ?..? ?????? ????? ???
???? ?? ????? ??

price of energy storage batteries in nepal

Traditionally, lead-acid batteries have been the go-to choice for energy storage in Nepal, used in a wide range of applications from automotive use to home energy storage.



Solar Photovoltaic System Cost Benchmarks

The U.S. Department of Energy's solar office and its national laboratory partners analyze cost data for U.S. solar photovoltaic systems to develop cost benchmarks to measure progress towards goals and guide research and development ...



500kw 400kw 600kw 700kw 800kw Hybrid Solar ...

500kw 400kw 600kw 700kw 800kw Solar Energy Projects Our system meets the certification standards of many countries and regions such as Europe, America, Middle East, Southeast Asia, Africa, Australia, etc.



Cost Projections for Utility-Scale Battery Storage: 2021 ...

Executive Summary In this work we describe the development of cost and performance projections for utility-scale lithium-ion battery systems, with a focus on 4-hour duration ...

NEA BOARD DECISIONS ON THE POWER PURCHASE ...

The active storage volume of a storage project should not be less than the volume corresponding to the design discharge of 15 days and the dead storage volume should be designed not to be ...

TAX FREE

ENERGY STORAGE SYSTEM

Product Model
HJ-ESS-215A(100KW/215KWh)
HJ-ESS-115A(50KW 115KWh)

Dimensions
1600*1280*2200mm
1600*1200*2000mm

Rated Battery Capacity
215KWH/115KWH

Battery Cooling Method
Air Cooled/Liquid Cooled



Residential Battery Storage , Electricity , 2021 , ATB

The 2021 ATB represents cost and performance for battery storage with two representative systems: a 3 kW / 6 kWh (2 hour) system and a 5 kW / 20 kWh (4 hour) system. It represents lithium-ion batteries only at this time. There are a ...



Nepal Housing Market: Average House Prices per ...

The Nepal Housing Market is getting a lot of focus lately. This is due to average house prices per square meter showing the market's changing nature. Cities are growing and the economy is expanding. This has made house prices in Nepal, ...



Contact Us

For catalog requests, pricing, or partnerships, please visit:
<https://vdbconstruction.co.za>