

Average solar storage container price per 250MW in Mauritius





Overview

However, it is essential to recognize that your personalized estimate may vary depending on all the factors that need to be considered in order to provide you with the most suitable solar power solution tailored to your specific lifestyle.

However, it is essential to recognize that your personalized estimate may vary depending on all the factors that need to be considered in order to provide you with the most suitable solar power solution tailored to your specific lifestyle.

Our actual average rate for our clients amortisement is approximately 5 to 6years. Start your solar journey with Reneworld. Use our interactive estimate for a rough idea, then book a free consultation for a custom solution. Contact us! .

The prices of solar energy storage containers vary based on factors such as capacity, battery type, and other specifications. According to data made available by Wood Mackenzie's Q1 2025 Energy Storage Report, the following is the range of price for PV energy storage containers in the market:.

B Containers delivers the finest quality shipping containers in Mauritius, ensuring durability, security, and value for diverse personal and commercial needs B Containers offers affordable pricing in Mauritius, providing top-quality shipping containers without compromising on durability, security.

With solar irradiance levels hitting 5.8 kWh/m²/day (that's enough to roast marshmallows on your rooftop panels!), Mauritius needs robust storage solutions to prevent renewable energy from going to waste [7]. Port Louis isn't just about shipping containers anymore. The port recently handled 40-ton.

nologies and in public transport infrastructure. The new government programme, "Achieving Meaningful Change", has ambitious targets in the area of green economy (GE) - from generating 35 per cent of electricity generation capacity and diversify its energy mix. The Indian Ocean island country had an.



Below is an exploration of solar container price ranges, showing how configuration choices capacity, battery size, folding mechanism, and smart controls drive costs. Prices span from compact trailers to large hybrid BESS containers, with examples across multiple vendors and platforms. In general, a.



Average solar storage container price per 250MW in Mauritius



[Understanding BESS: MW, MWh, and Charging](#)

Battery Energy Storage Systems (BESS) are essential components in modern energy infrastructure, particularly for integrating renewable energy sources and enhancing grid stability. A fundamental understanding of ...

Qair Secures Loan to Build Solar-Storage Projects in Mauritius

Qair has secured a loan from SBM Bank to build 60 MW of hybrid solar and storage projects in Mauritius, supporting the nation's goal of 60% renewable power by 2030. ...



Storage Containers for Sale Mauritius , Containers for Sale Mauritius

Containers for Sale Mauritius At B Containers, we pride ourselves on delivering high-quality shipping containers to meet diverse needs across the Mauritius. Whether you're searching for ...

U.S. Solar Photovoltaic System and Energy Storage Cost

Q RTE SG& A SOC USD VDC WAC WDC
alternating current battery energy storage
system U.S. Bureau of Labor Statistics balance of
system capital expenditures direct current U.S. ...

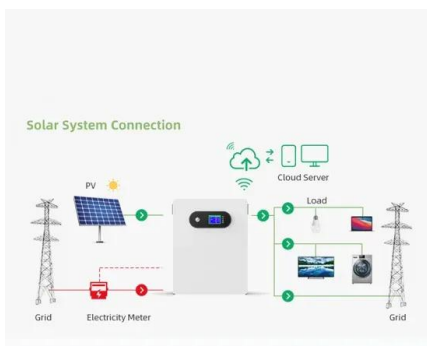
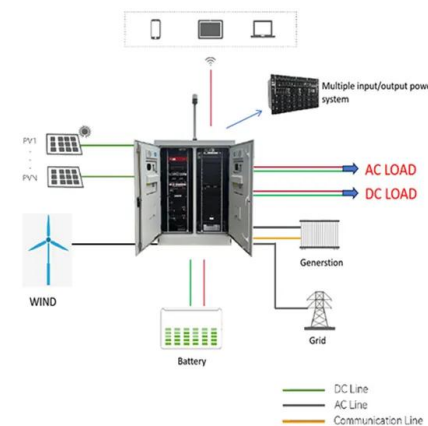


Comparative Analysis of Mauritius's Electricity Capacity and

This will be achieved through rapid deployment of solar farms, wind projects, waste-to-energy, and extensive use of energy storage and smart grid management, as well as maximizing use ...

Mauritius plans 100 MW solar+storage project

In March 2022, the Central Electricity Board (CEB) of Mauritius issued two different tenders for the deployment of 140 MW of solar-plus-storage capacity. The government ...



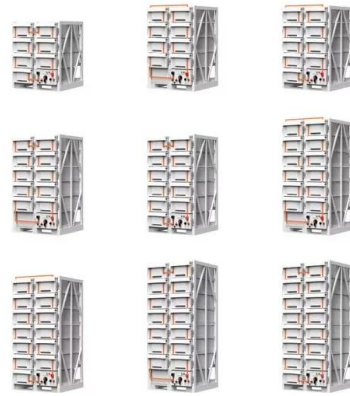
250KW 300KW 500KW Solar System Cost

250kW, 300kW and 500kW solar energy storage systems are widely used in house communities, irrigation, villages, farms, hospitals, factories, airports, schools, hotels (holiday homes), farms, remote suburbs, etc.



Solar Energy Storage Container Prices in 2025: ...

Explore market trends, pricing, and applications for solar energy storage containers through 2025. Learn about key cost drivers, technological advancements, and practical uses in industries such as mining and agriculture.



[mobile solar power plants & stations](#)

We sell a container including fold-up aluminium solar wings, each made from 8 solar panels, providing 2.4kW power and wired to the pre-fitted technical room inside the container. We offer a highly portable container, designed as a shop ...

Container Shipping Costs: 20 ft & 40 ft Freight Rates and Prices

Discover container shipping costs and delivery charges in 2024. Explore 20ft & 40ft container prices, sea freight rates, LCL & FCL shipping costs



- High energy density and long cycle life
- Modular structure
- No need to replace the battery
- Shorter charging time
- Meets #1 EV car



Mauritius Solar Panel Manufacturing Report , Market ...

Explore Mauritius solar panel manufacturing landscape through detailed market analysis, production statistics, and industry insights. Comprehensive data on capacity, costs, and growth.



CEB Mauritius Signs Up For 60 MW AC Solar

French independent power producer (IPP) Qair says it will supply clean energy from 60 MW AC hybrid solar power and battery storage capacity in Mauritius to Central Electricity Board (CEB) and calls it the largest investment ...



Solar PV in Africa: Costs and Markets

Solar PV module prices have fallen by 80% since the end of 2009, and PV increasingly offers an economic solution for new electricity generation and for meeting energy service demands, both ...

3mw container energy storage power station price

Range of MWh: we offer 20, 30 and 40-foot container sizes to provide an energy capacity range of 1.0 - 2.9 MWh per container to meet all levels of energy storage demands. Optimized price ...



Qair secures financing for 60 MW hybrid project in Mauritius

Qair, an independent renewable energy company, has secured financing from SBM Bank (Mauritius) Ltd to implement its 60 MW Stor'Sun I and II hybrid solar PV and BESS ...



Qair secures financing for hybrid solar + storage project in Mauritius

Qair has announced the closing of a new loan to support the implementation of a hybrid solar photovoltaic and battery energy storage system project in Mauritius.



[Solarcontainer: The mobile solar system](#)

Based on an average power consumption of a 4-person household of 4000 kWh per year and a location in Southern Germany, the solar container can supply approx. 32 households with climate-friendly electricity.

International Container Shipping Rates Chart: August ...

This is reflected in the composite index price which decreased by 3% between the last week of July and the first week of August. Global container shipping rates are 56% lower than they were at this time last year. Drewry's ...



Shipping Container Price Mauritius , Storage Containers for Sale ...

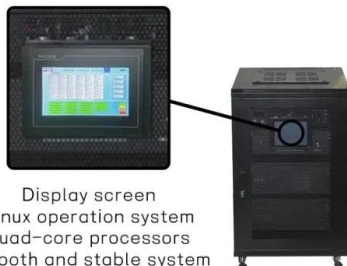
From standard storage to custom projects, our containers provide unmatched durability, security, and versatility. We pride ourselves on delivering exceptional service, competitive pricing, and ...



Containext - Container Office

About Containext Our company incorporated dated 2017 specialising bringing seaworthy containers 20 ft,40 ft,40hc and reefers containers from different sources for our Mauritius customers . Our target clients uses our containers for ...

- LiFePO₄ Battery,safety
- Wide temperature: -20~55°C
- Modular design, easy to expand
- The heating function is optional
- Intelligent BMS
- Cycle Life:> 6000
- Warranty:10 years



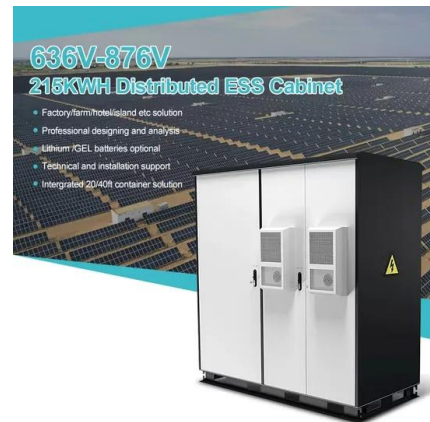
Display screen
Linux operation system
quad-core processors
smooth and stable system

1 mw battery price Mauritius

1 MW Solar Power Plant Cost With Complete Detail An off-grid solar power plant is a battery-based solar power system. In this type of solar system, there are solar panels, solar inverter, ...

Qair Secures Financing for 60MW Hybrid Solar-Battery Projects in Mauritius

French independent power producer Qair has closed a financing agreement with SBM Bank (Mauritius) Ltd to support the development of its 60-megawatt (MW) Stor'Sun hybrid ...



636V-876V
215KWH Distributed ESS Cabinet

- Factory/farm/hotel/land etc solution
- Professional designing and analysis
- Lithium /GEL batteries optional
- Technical and installation support
- Integrated 20'40ft container solution



Ess Container Solutions

Self consume Photovoltaic gives priority to power the user load, and excess solar energy charges the batteries.When the battery is fully charged, the excess power can flow to the grid or photovoltaic limited power operation Battery first ...



Ess Container Solutions

Self consume Photovoltaic gives priority to power the user load, and excess solar energy charges the batteries. When the battery is fully charged, the excess power can flow to the grid or ...

LFP12V100



Solar Interactive Estimate in Mauritius , Reneworld

However, it is essential to recognize that your personalized estimate may vary depending on all the factors that need to be considered in order to provide you with the most suitable solar ...



Understanding MW and MWh in Battery Energy ...

In the context of a Battery Energy Storage System (BESS), MW (megawatts) and MWh (megawatt-hours) are two crucial specifications that describe different aspects of the system's performance.



Port Louis Energy Storage Investment: Powering Mauritius' ...

As Port Louis positions itself as Africa's storage testing ground, early investors are getting front-row seats to innovations with global potential. From sand batteries to ...



200kWh Battery Cluster



Contact Us

For catalog requests, pricing, or partnerships, please visit:
<https://vdbconstruction.co.za>