

Average warehouse solar storage price per 30MW in Mauritius





Overview

Explore Mauritius solar panel manufacturing landscape through detailed market analysis, production statistics, and industry insights. Comprehensive data on capacity, costs, and growth.

Explore Mauritius solar panel manufacturing landscape through detailed market analysis, production statistics, and industry insights. Comprehensive data on capacity, costs, and growth.

Mauritius experiences an annual average of approximately 2,500 to 2,628 sunshine hours, depending on the specific region. 1 The annual output is about 1,600 to 1,800 kWh per kWp installed, depending on factors like location, solar irradiance, and system efficiency. 2 The average electricity cost.

The Government of Mauritius has inaugurated a 20 MW grid-scale battery energy storage system (BESS) at the Amaury Sub-station, marking a significant stride towards its ambitious goal of achieving 60% renewable energy in the electricity mix by 2030. Grid-Scale Battery Energy Storage System (2MW) at.

Winning bidders are required to set-up solar-storage hybrid systems with electricity generation capacity of between 10MW to 30 MW. The renewable energy procurement exercise by CEB is in line with the country's objectives to increase the share of renewables in the country's power generation mix to.

6Wresearch actively monitors the Mauritius Warehousing and Storage Market and publishes its comprehensive annual report, highlighting emerging trends, growth drivers, revenue analysis, and forecast outlook. Our insights help businesses to make data-backed strategic decisions with ongoing market.

However, it is essential to recognize that your personalized estimate may vary depending on all the factors that need to be considered in order to provide you with the most suitable solar power solution tailored to your specific lifestyle. All our systems are quality products designed with an aim.

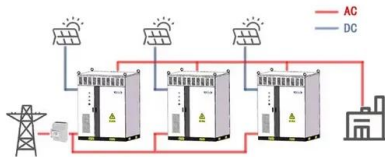


Storage (BESS) Hybrid projects totaling 60MWac. Bambous, March 1, 2023 - Qair, an independent renewable energy producer, announces the signature with the Central Electricity Board (CEB) of four power purchase agreements for Renewable Energy fr ng the intermittent nature o solar electricity. Solar.



Average warehouse solar storage price per 30MW in Mauritius

WORKING PRINCIPLE



Solar Interactive Estimate in Mauritius , Reneworld

However, it is essential to recognize that your personalized estimate may vary depending on all the factors that need to be considered in order to provide you with the most suitable solar ...

[CEB Mauritius Signs Up For 60 MW AC Solar](#)

Construction for all 4 facilities is planned for 2023 and commissioning in 2024. Qair is already present in Mauritius through a local solar and wind power company called Qair Mauritius that operates 2 solar farms ...



MAURITIUS SEEKING CONSULTANTS FOR 15 MW SOLAR ...

Jersey 1 mw solar power plant cost in usa A solar farm with a capacity of 1 megawatt (MW) would cost between \$890,000 and \$1.01 million. The SEIA's average national cost figures for Q4 ...

Mauritius' CEB issue tender for 30MW solar-storage hybrid systems

The Central Electricity Board of Mauritius (CEB) has issued a request for proposal (RFP) for the purchase of power from small-scale renewable energy hybrid facilities. ...



Solar Farm Cost Investment Unveiled: True Cost of ...

Solar panels: Solar panel prices have decreased significantly in recent years, with the average cost per watt now ranging between \$0.20 and \$0.25. For a 1 MW solar farm, the solar panel cost would be approximately ...



Warehouses for Rent in Mauritius , 14 listings

Warehouses for rent in Mauritius offer a range of sizes, with the average property size around 325 m² and some larger units reaching up to 2,000 m². The largest land area available is 32,400 m², while the median land area is about 1 m². ...



Warehousing Services Costs, Pricing, Rates and Fees

Get the latest warehousing & storage costs & pricing from our yearly warehousing rates survey of over 600 warehouses. Get matched to warehouses for FREE quotes.





Photovoltaic System

The electricity generated by the panels is processed through Inverters for compliance to be sent to the distribution Grid of the CEB and compatible for use for usual Home, Commercial and Industrial equipment. The Enphase ...



Mauritius Energy Storage Project Policy Document

Island nations Mauritius and Barbados have both begun renewable energy procurement processes that involve energy storage. In common with other island regions around the world, ...

Understanding Battery Storage Costs per Megawatt in 2024

Breaking Down the \$1.2 Million Question Let's cut through the industry jargon - when we talk about battery storage costs per MW, we're essentially asking: "How much does it cost to park a ...



1MWh-3MWh Energy Storage System With Solar Cost ...

PVMars lists the costs of 1mwh-3mwh energy storage system (ESS) with solar here (lithium battery design). The price unit is each watt/hour, total price is calculated as: 0.2 US\$ * 2000,000 Wh = 400,000 US\$. When solar modules ...

1075KWHH ESS



Qair Secures Financing for Hybrid Solar + Storage Project in Mauritius

Paris, August 7, 2025 - Independent renewable energy company Qair announces the closing of a new loan to support the implementation of a hybrid solar photovoltaic and battery energy ...



Commercial Battery Storage Costs: A Comprehensive ...

Commercial Battery Storage Costs: A Comprehensive Breakdown Energy storage technologies are becoming essential tools for businesses seeking to improve energy efficiency and resilience. As commercial energy systems evolve, ...

U.S. Solar Photovoltaic System and Energy Storage Cost

Executive Summary This report benchmarks installed costs for U.S. solar photovoltaic (PV) systems as of the first quarter of 2021 (Q1 2021). We use a bottom-up method, accounting for ...



Solar Energy For Warehouses & Distribution Centers

On average, commercial solar panels cost between \$2.00-\$4.00 per watt before deducting tax credits, incentives, and rebates. Solar panel prices are calculated per watt according to the panel's power capacity.



BATTERY ENERGY STORAGE SYSTEM

As Mauritius transitions to a low-carbon economy, the CEB is actively integrating Battery Energy Storage Systems (BESS) to manage fluctuations in renewable energy sources like solar and wind.



12V 10AH



Mauritius high voltage storage

Under the 2022-2023 national budget, the government committed to initiatives including setting up 140MW of hybrid renewables-plus-storage facilities with private entities, investment in about ...

Qair Secures Funding for Hybrid Solar Storage Portfolio ...

Independent power producer Qair has clinched long-term financing to deliver a trio of hybrid solar-and-storage parks totalling sixty megawatts across Mauritius, a sun-kissed ...



Energy storage costs

Overview Energy storage technologies, store energy either as electricity or heat/cold, so it can be used at a later time. With the growth in electric vehicle sales, battery storage costs have fallen ...



1MW Solar Power Plant: Real Costs and Revenue ...

A 1 MW solar power plant typically generates between 1,600 to 1,800 kilowatt-hours (kWh) per day under optimal conditions, translating to approximately 4-4.5 units of electricity annually per installed kilowatt.

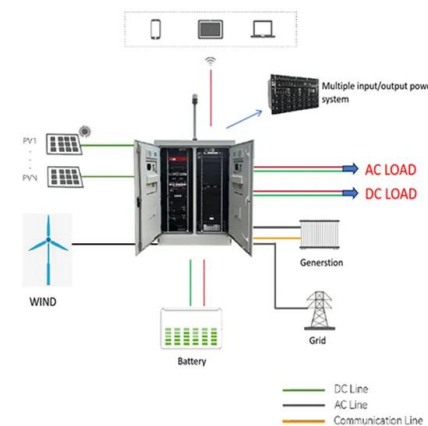


Panneaux Solaires Photovoltaïques , Solar Center

The MAURITIUS SOLAR CENTER is unique in the world. All types of photovoltaic solar panels and all types of mounting systems are on display. Over 1,000 m2 of roof-top showroom, over 1,400 m2 of office and warehouse space (Design ...

Qair inks PPAs for 60-MW of solar-storage projects in ...

French renewable power producer Qair has secured power off-take deals for four hybrid solar and battery storage space projects in Mauritius that will add 60 MW of capacity to the neighborhood electricity grid.



Understanding the Cost of Installing Solar Panels on a Warehouse

The Declining Cost of Industrial Solar Panels An industrial solar power system can be up to several megawatts (MW) in size, depending on the amount of electricity the facility needs and ...



Qair secures financing for 60 MW hybrid solar-plus-storage ...

Qair secures financing for 60 MW hybrid solar-plus-storage projects in Mauritius The four projects in the Stor'Sun initiative that Qair won in 2024 are now funded, and will aim to ...

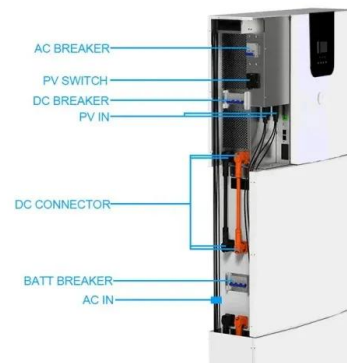


What is the Cost of BESS per MW? Trends and 2025 Forecast

The cost per MW of a BESS is set by a number of factors, including battery chemistry, installation complexity, balance of system (BOS) materials, and government ...

Solar Energy Solutions Mauritius , Off-Grid Tied Solar ...

We're a solar energy company in Mauritius that creates & installs full grid-tied solar systems & offers solar power, EV charging, & home solar solutions. Visit us!



Utility-Scale PV , Electricity , 2024 , ATB , NREL

For example, in 2014, the reported capacity-weighted average system price was higher than 80% of system prices in 2014 because very large systems with multiyear construction schedules were being installed that year. Developers of ...



Solar Battery Storage System Cost (2025 Prices)

Solar battery storage system cost A solar battery costs \$8,000 to \$16,000 installed on average before tax credits. Solar battery prices are \$6,000 to \$13,000+ for the unit ...



Contact Us

For catalog requests, pricing, or partnerships, please visit:
<https://vdbconstruction.co.za>