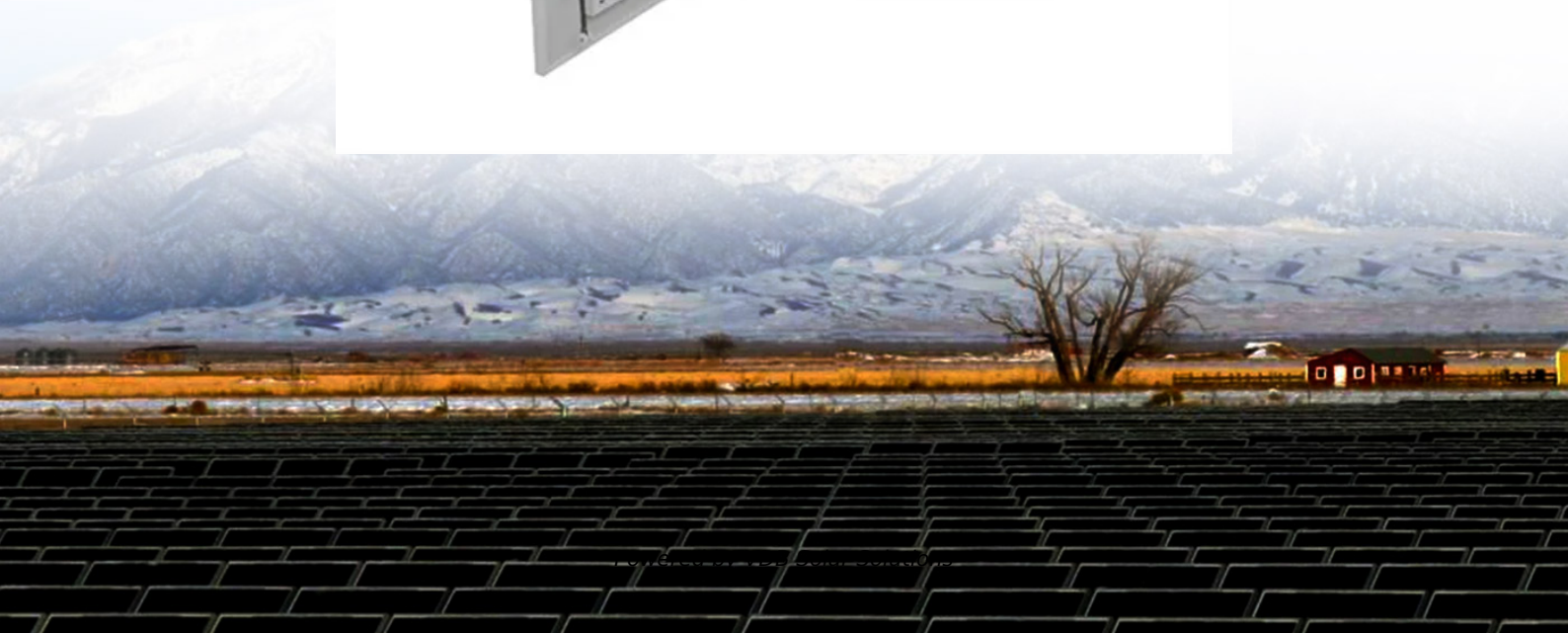


Containerized BESS project financing options in Bolivia 2025





Overview

Can Bess projects be bundled together?

Independent BESS projects, only supporting renewable energy projects, can be bundled together, and issued as green bonds to potential large investors.

How much does Bess cost?

The cost of BESS has fallen significantly over the past decade, with more precipitous drops in recent years: This is nearly a 70% reduction in three years, owing to falling battery pack prices (now as low as \$60-70/kWh in China), increased deployment, and improved efficiency.

How can a Bess adopter generate more revenue?

Another evolving model that can create an additional revenue stream for BESS adopters is the trading of green credits by virtue of facilitating clean energy. This is increasingly relevant as more countries are establishing structured and regulated carbon markets in their jurisdictions as per global best practices.

Is Bess a good investment?

Although risk-taking investors seeking a higher return on their investment in BESS can translate into higher energy tariffs, it is not ideal for large-scale adoption of BESS. Moreover, the capital available with this class of investors is limited compared to this solution's growth potential.

How can a Bess project help a net-zero future?

Carbon credits earned from BESS projects can be traded in the market at a favourable price. BESS is considered as a “sunshine industry”. Thus, it is important for technology, business, and policy stakeholders to forge a winning partnership to help the global economy leapfrog into a net-zero future.

Why are capital flows for Bess concentrated in China and the developed world?



IEA states that capital flows for BESS are concentrated in China and the developed world because of the high cost of capital for clean energy projects in emerging economies.



Containerized BESS project financing options in Bolivia 2025



European BESS offtake & financing - state of play

Timera Energy look at offtake & financing conditions across key BESS markets, optimisers & offtake contract structures and the evolution of battery debt financing

Making project finance work for battery energy storage projects

Why securing project finance for energy storage projects is challenging It has traditionally been difficult to secure project finance for energy storage for two key reasons. Firstly, the nascent ...



THE CHINA BATTERY ENERGY STORAGE SYSTEM

...

EXECUTIVE SUMMARY A Battery Energy Storage System (BESS) secures electrical energy from renewable and non-renewable sources and collects and saves it in rechargeable batteries ...

Investing into BESS

This revenue uncertainty makes BESS a riskier asset class with more challenging financing options compared to the stable cash flows of renewable energy projects, which benefit from supportive regulatory ...



How to finance battery energy storage , World ...

Battery energy storage systems (BESS) can help address the challenge of intermittent renewable energy. Large scale deployment of this technology is hampered by perceived financial risks and lack of secured ...



Robust BESS Container Design: Standards-Driven ...

A Battery Energy Storage System container is more than a metal shell--it is a frontline safety barrier that shields high-value batteries, power-conversion gear and auxiliary electronics from mechanical shock, fire risk and ...



Germany's first tolled BESS secures project financing

The 209 MWh Stendal battery energy storage project is expected to be fully operational by early 2026, one year before its seven-year tolling agreement comes into effect.





What is the Cost of BESS per MW? Trends and 2025 Forecast

The cost per MW of a BESS is set by a number of factors, including battery chemistry, installation complexity, balance of system (BOS) materials, and government ...



Battery Energy Storage Systems (BESS): The Future of Energy ...

As India progresses towards a greener and more sustainable energy future, Battery Energy Storage Systems (BESS) are emerging as a critical solution for energy storage, grid stability, ...

Battery energy storage system BESS 2025

The containerized battery energy storage system represents a mobile, flexible, and scalable solution for energy storage. Housed within shipping containers, these systems are pre-assembled and ready to deploy, ideal for ...



Australia's Energy Storage Boom: Why Businesses ...

2 ???· Payback Period: Due to Australia's high electricity prices and abundant solar resources, the payback period for businesses deploying solar-plus-BESS is typically between three and six years. This period can be even shorter with ...



The rise of bankable BESS projects in Europe

As the renewable energy sector rapidly evolves, battery energy storage systems (BESS) are emerging as a critical pillar for decarbonization. However, with capital constraints and rising market volatility, not all projects ...



Robust BESS Container Design: Standards-Driven Engineering ...

A Battery Energy Storage System container is more than a metal shell--it is a frontline safety barrier that shields high-value batteries, power-conversion gear and auxiliary ...

The Art of Financing Battery Energy Storage Systems ...

Bringing it all together Elgar Middleton has extensive knowledge of, and experience in financing, co-located BESS, standalone BESS, BESS duration, warranty duration, cycling, degradation, floors, fixes as well as ...



All-in-One Containerized Battery Energy Storage System Market ...

The All-in-One Containerized Battery Energy Storage System (BESS) market is experiencing robust growth, projected to reach \$8.841 billion in 2025 and maintain a Compound Annual ...



Outlook 2025: The future of the utility-scale BESS market

The rapid evolution of the utility-scale battery energy storage systems (BESS) market in Australia, Europe and the US has seen the emergence of a wide range of offtake products. These arrangements offer opportunities for ...



Containerized Battery Energy Storage System (BESS) Market ...

/PRNewswire/ -- The global containerized BESS market is projected to grow from USD 13.87 billion in 2025 to USD 35.82 billion by 2030, at a CAGR of 20.9%

Analysis Of Financing Options For A 270MWh BESS Project In ...

Equity Financing for a Belgian BESS Project
Equity financing plays a vital role in BESS projects, providing upfront capital without the immediate pressure of debt repayment. ...



[The rise of bankable BESS projects in Europe](#)

As the renewable energy sector rapidly evolves, battery energy storage systems (BESS) are emerging as a critical pillar for decarbonization. However, with capital constraints and rising market



CATL's TENER Stack: 9 MWh Containerized Stacked ...

CATL showcased its latest TENER Stack series containerized 9 MWh battery energy storage system (BESS), targeting Europe's data centers, industrial applications, and more, at Intersolar Europe 2025. (Photo Credit: ...



Unlock European Solar ROI: The 2025 BESS Container ...

European solar investors in 2025 aren't guessing! Discover the critical BESS Container Technical Parameters (>6k cycles, 92-95% eff, 200Wh/L) slashing LCOS by 20%. Is ...

Red Sands BESS Project Secures R5.4bn Financing, Set to ...

The ambitious 153 MW/ 612 MWh Red Sands battery energy storage system (BESS) project, poised to become Africa's largest standalone facility of its kind, has reached ...



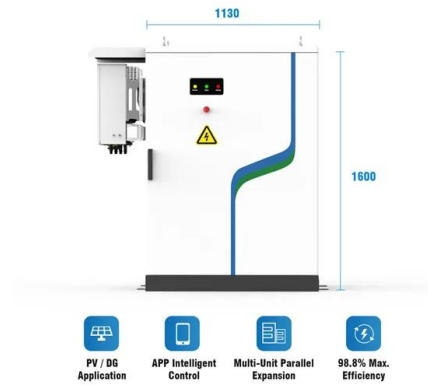
BW ESS secures financing for 331 MWh BESS project in UK

The transaction follows a competitive financing process. The BESS project benefits from a market-first seven-year tolling agreement with Shell Energy Europe. It was ...



Financing Battery Energy Storage Systems - Meeting ...

Co-authored by Harry Brunt, a partner in our Energy and Infrastructure team, and Dan Roberts of Frontier Economics Introduction In this article we consider the role and application of battery energy storage systems ...

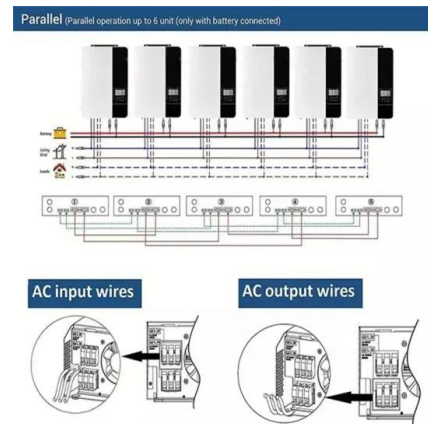


The Rise of BESS Battery Energy Storage Systems: a New Era of

Cooling systems, including both air and liquid cooling options Containerized energy storage systems are among the most popular BESS formats due to their modularity, ...

The Rise of BESS Battery Energy Storage Systems: a ...

Cooling systems, including both air and liquid cooling options Containerized energy storage systems are among the most popular BESS formats due to their modularity, transportability, and ease of deployment. ...



The Ultimate Guide to Battery Energy Storage Systems (BESS)

Battery Energy Storage Systems (BESS) have become a cornerstone technology in the pursuit of sustainable and efficient energy solutions. This detailed guide offers an ...



Contact Us

For catalog requests, pricing, or partnerships, please visit:
<https://vdbconstruction.co.za>