

# **Energy storage installation 2018 greentech media**





## Overview

---

How will government support electrochemical storage?

New research promoting soft-side innovations and business models will expedite integration of electrochemical storage into common markets. Further government support is necessary to promote responsible R&D spending that enables serious cost reductions across solar, wind, and storage, while also decarbonizing electricity and transportation.

How much energy storage will Canada use in 2023?

This statistic shows the projected global energy storage deployed between 2013 and 2023, broken down by select country. It is projected that the Canadian energy storage market will have deployed 1.3 gigawatt hours between these years. Get notified via email when this statistic is updated. \* For commercial use only Access limited to Free Statistics.

Can the US become a leader in electric battery storage?

Further government support is necessary to promote responsible R&D spending that enables serious cost reductions across solar, wind, and storage, while also decarbonizing electricity and transportation. The US has the opportunity to become a leader, not a laggard, in electric battery storage manufacturing and development.

Will electricity storage benefit from R&D and deployment policy?

Electricity storage will benefit from both R&D and deployment policy. This study shows that a dedicated programme of R&D spending in emerging technologies should be developed in parallel to improve safety and reduce overall costs, and in order to maximize the general benefit for the system.

How can battery storage help reduce energy costs?

Simultaneously, policies designed to build market growth and innovation in battery storage may complement cost reductions across a suite of clean



energy technologies. Further integration of R&D and deployment of new storage technologies paves a clear route toward cost-effective low-carbon electricity.

Can solar and battery storage compete directly with fossil-based electricity options?

We find and chart a viable path to dispatchable US\$1 W<sup>-1</sup> solar with US\$100 kWh<sup>-1</sup> battery storage that enables combinations of solar, wind, and storage to compete directly with fossil-based electricity options. Electricity storage will benefit from both R&D and deployment policy.



## Energy storage installation 2018 greentech media

---



### U.S. Energy Storage Conference 2017 , Greentech Media

Greentech Media's U.S. Energy Storage Summit 2017 returns for two full days of data-intensive presentations and panel sessions with and was selected for Forbes 30 Under 30 in Energy (2018

### Why Is the Texas Market So Tough for Energy Storage?

The booming renewables industry in Texas should, in theory, create a role for energy storage plants to manage its variability. Years into the Lone Star State's wind and solar deployment, though



### Energy storage deployment and innovation for the clean energy

We find and chart a viable path to dispatchable US\$1 W -1 solar with US\$100 kWh -1 battery storage that enables combinations of solar, wind, and storage to compete ...



### SEPA: Energy storage interconnection increased 44 percent in ...

The report shows that in 2018, a total of 760.3 MWh of energy storage were interconnected, a 44.9% increase over 2017, bringing the cumulative energy storage total ...



### **A New Frontier: The Interconnection of Energy Storage**

The installation of energy storage and solar together, as in the scenario we began with above, warrants some special attention. The storage device's role may be simply to capture electricity



### **Austin Energy's Solar Storage Project Wows Again ...**

Now, Greentech Media is recognizing Austin Energy for its innovation and leadership in integrating solar and storage in the Lone Star state. One of only ten to be honored, the 2018 Grid Edge Innovation Awards ...



### **Stories That Defined the Global Energy Storage Market in 2017**

German government body Germany Trade & Invest said homeowners were on track to install 50,000 behind-the-meter storage. Expect plenty more Australian energy storage action in 2018. Prospects





### **Powin Energy Raises \$100M to Compete for Leadership**

Energy storage startup Powin Energy has raised more than \$100 million in equity investment to compete with better-funded rivals in the large-scale grid battery market. Powin buys battery cells and



### **Tesla Installs 7-Megawatt-Hour Battery for Emergency**

Tesla deployed a total of 1.04 gigawatt-hours of energy storage in 2018, an impressive tripling of its 2017 figure. A Wood Mackenzie Business & © 2024 Greentech Media or its affiliated

### **The Shifting Makeup of the Fast-Growing US Energy Storage ...**

The U.S. energy storage market continued its rapid expansion in the third quarter of 2018, as new state storage incentives and FERC Order 841 have doubled the country's pipeline of projects to a



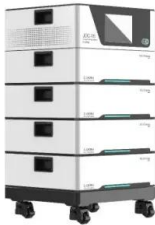
### **The UK Could Install 12 Gigawatts of Energy Storage by 2021**

The position paper's high deployment scenario assumes 40 percent of U.K. solar generation and 25 percent of wind could have battery storage attached to it by 2021, equaling a total of some 8



## After Bold Promise, New Jersey's Energy Storage

New Jersey looked like the promised land for energy storage. The state already has the seventh-largest U.S. installed solar capacity, ahead of nearby New York and Massachusetts. Gov. Phil Murphy



## The value of long-duration energy storage under ...

4 ???· Long-duration energy storage (LDES) is a key resource in enabling zero-emissions electricity grids but its role within different types of grids is not well understood. Using the Switch capacity

## A Breakdown of Tesla's Solar and Storage Delays and Deliveries

Feb. 2018: Tesla plans to triple the amount of energy storage it deploys in 2018 compared to 2017. Tesla's energy storage and solar group had 2017 revenue of \$1.12 billion, a small piece of Tesla



## Two Years In, New York's Energy Storage Market Has

In 2018, New York prioritized energy storage adoption as part of its clean energy transition strategy. Since then, energy storage development has moved faster than even the state's policy



### Private Equity Wants In on Energy Storage Revenues

Private equity is developing a taste for energy storage. Energy Capital Partners, an energy investment heavyweight with \$19 billion at its disposal, acquired commercial and industrial storage



### [Solar Summit Mexico 2018 , Energy Conference](#)

From January to December 2016, he led GE Grid Solutions' growth in the non-T& D industrial segments and from January 2017 took the leadership of a newly created unit aimed to develop and grow GE



LFP 12V 200Ah

### Southern California Edison Picks 195MW Battery

This week, utility Southern California Edison selected a roster of energy storage projects to supply local capacity needs around the coastal city of Oxnard, instead of the 262



### South Korea Transformed Itself Into the World's Top

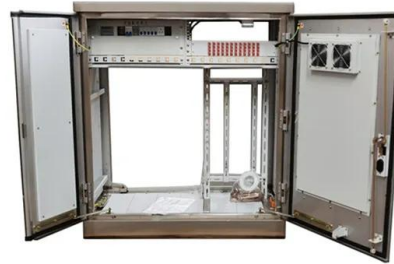
South Korea proved itself the dark-horse winner of the global energy storage deployment race of 2018. Julian is a staff writer at Greentech Media, where he reports on the transition to a clean





### EVs Could Save California Billions in Energy Storage Investment

Greenblatt said regulators are unlikely to change course on the state's current energy storage mandate, but he's hopeful EVs will have an opportunity to participate in future versions of the rule.



PUSUNG-R (Fit for 19 inch cabinet)



### 2019 Was the Year Everything Changed for Utilities and Energy Storage

The cycle from utility energy storage pilots to widespread adoption is speeding up, a new WoodMac analysis finds. As a result, the combined resource plans now anticipate 6.3 gigawatts of battery

### Tesla Plans to Triple Battery Deployments in 2018 , Greentech Media

In Tesla's fourth-quarter and full-year 2017 earnings report released Wednesday afternoon, the company said that it plans to at least triple the amount of energy storage capacity it deploys in



### Will Safer Batteries Finally Take Over the Home Storage Market?

The momentum shifted in 2018 when a lucrative storage incentive in South Korea, home of leading manufacturers LG Chem and Samsung, kicked off a battery installation bonanza.



### EDF Plans to Invest \$10B in Energy Storage by 2035

The company unveiled a new Electricity Storage Plan last week with a goal to develop 10 gigawatts of energy storage by 2035, A Wood Mackenzie Business © 2024 Greentech Media or its

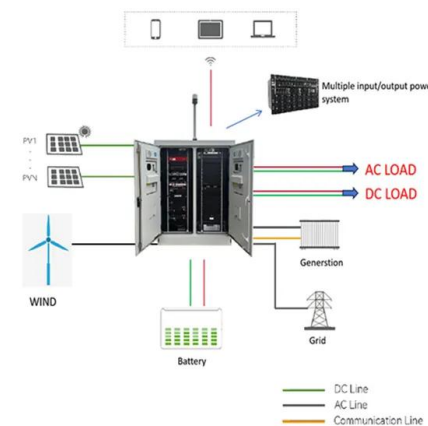


### The Key Trends Shaping Energy Storage in 2018 , Greentech Media

For this week's edition of Storage Plus, I'll describe what I see as the key trends that will shape this sector in the coming months. New allies Storage needs to compete on ...

### European Utilities Muscle Into Energy Storage

German frequency response service revenues have dropped by almost two-thirds in two years as utilities have rushed to deploy energy storage, research shows. Wood Mackenzie Power & Renewables this



### The Subtle Art of Developing Energy Storage During a Pandemic

The top-line analysis for energy storage predicts a 20 percent drop in global storage deployments compared to the base case. The good news for the industry is that even with that slowdown, the



## **Austin Energy GM on the Utility's Innovative Storage Program: ...**

Come to San Francisco on December 11-12 for Energy Storage Summit 2018 and join Austin Energy and other leading A Wood Mackenzie Business  
Â© 2024 Greentech Media or its affiliated companies



## **Contact Us**

---

For catalog requests, pricing, or partnerships, please visit:  
<https://vdbconstruction.co.za>