

# **How much does JinkoSolar panels cost**





## Overview

---

Jinko solar panels cost between \$2.45 and \$3.09/W on the EnergySage Marketplace – that's \$13,500 to \$17,820 for a 6 kW system before the federal solar tax credit. How much does a Jinko Solar panel cost?

The typical range is anywhere from -0.35 to -0.45. Cost – The price per watt for JinkoSolar's solar modules range from \$3.00-\$3.99. You can expect JinkoSolar to be about as pricey as most other competitors in the "standard" home solar panels category.

Are JinkoSolar solar panels good quality?

Overall, JinkoSolar has a wide range of good quality solar panels. As far as efficiency, performance, cost, and warranty, the modules you will find at JinkoSolar sit where most other panels are. Be sure to review our guide on the best solar panels to understand the key metrics you should use to compare solar modules against one another.

Where are JinkoSolar solar panels made?

However, JinkoSolar recently opened a solar panel manufacturing facility in Jacksonville, Florida, where they manufacture the aptly named "Eagle" series of American-made solar panels. JinkoSolar panels—and the Eagle series in particular—are increasingly popular in quotes to solar shoppers comparing their options on the EnergySage Marketplace.

How long will Jinko Solar be around?

Based on Jinko Solar's huge size and profitability, we expect it to be around for many years; the same can't be said for many of its competitors. Finally, there is the ever-important matter of cost: Jinko Solar's panels are much cheaper than the priciest brands.

Is Jinko Solar a good company?

Since 2016, Jinko Solar has been the world's largest solar panel manufacturer.



In 2020, it shipped between 18.5GW to 19GW of solar panels. Ranked a Tier 1 company by Bloomberg for its bankability, Jinko Solar stands very close to the small circle of premium brands highly regarded for their high performance.

Does JinkoSolar offer a warranty?

Warranty - Lastly, JinkoSolar offers a typical, 10-year materials warranty against any defects in their solar panels. This is normal, but some other manufacturers offer up to 25-year warranties. Is JinkoSolar right for you?

Overall, JinkoSolar has a wide range of good quality solar panels.



## How much does JinkoSolar panels cost

---

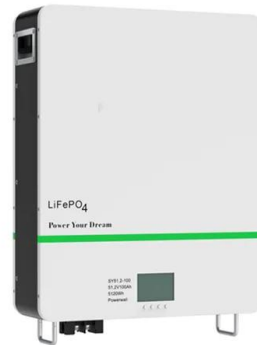


### Jinko Tiger Neo 440W Australia , Jinko Solar Panels

By integrating the latest technological advancements, including advanced cell architecture and optimised materials, JinkoSolar has created a panel that achieves unmatched levels of ...

### [Solar Panel Prices in Nigeria \(November 2024\)](#)

A combination of a solar panel with a power wall inverter and a controller can cost as much as ₦725,000 depending on the number of batteries. For instance, a 5KVA Inverter with four 200AH Batteries and eight 250W Solar ...



### Jinko Solar Panels

As solar technology has matured, the challenge is to harness the sun's power in the most reliable and cost effective manner in order to fulfill energy needs for decades to come. Jinko Solar has a proven track record as the ideal partner ...

### Solar Panel Maintenance and Installation Cost ...

So, how much does it cost to install solar panels in Singapore? The price depends on your house type, roof size and size of your solar system, which can range from S\$18,000 to S\$36,000 or more. Terrace Houses: The ...



### Jinko Solar Panels: An Independent Review by Solar Choice

The 0.55% annual power degradation 30-year linear power warranty and lightweight design for easy installation and low BOS cost. The module power increases by 5 ...



### [Solar Panels Price List November 2024](#)

A solar panel is made of many solar cells wired together to convert the light from the sun to produce an electric current. Although they do not generate much electricity compared to other electricity-generating methods individually, they ...



### [JinkoSolar Panels: The Complete Review](#)

Jinko's solar panels range in efficiency from 18.67% to 21.33%, and they have a materials warranty lasting up to 25 years. Jinko solar panels cost between \$2.45 and \$3.09/W on the EnergySage Marketplace - that's \$13,500 ...





## Solar panels cost in the UK: 2024 prices , The Independent

The average cost of a solar panel system for a typical three-bedroom house in the UK is £9,600, including a battery. Solar panels can save you up to £1,014 annually, ...



## Jinko Tiger NEO 475w Australia , Jinko Solar Panels

Power. 23.23 % Efficiency. 30 years. Power Warranty-0.30 %/? Temperature Coefficient. 85 % Max.Bifaciality. The Jinko Tiger half cell design ensures an improved shading response, ...

## How Much Do Solar Panels Cost?

Solar panels cost from £4,972 for a 4-panel package, while batteries start from £3,057 if installed along with solar panels. Customers who installed their solar panels and/or battery through ...



## Solar Panel Costs in the UK: 2024 Prices

A 4kW solar panel system is suitable for the average home in the UK and costs around £5,000 - £6,000.; The estimated average yearly savings you can expect with a solar panel system ...



## How much do Solar Panel Systems Cost? UK Prices 2024

Case Study: solar panel installation for an average UK home o House type: Semi-detached o Solar panels: polycrystalline 4kW o Number of panels: 10-14 o Solar panel ...

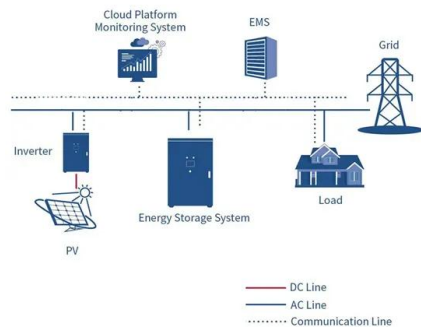
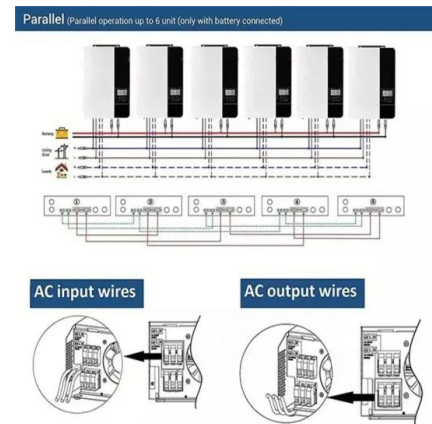


### Jinko Solar Panels Review

JinkoSolar was founded in 2006 and grew rapidly to become the world's largest solar panel manufacturer in 2016 through producing reliable, affordable solar panels. The company is now pushing the boundaries with the ...

### How much do Jinko solar panels cost?

The cost of Jinko solar panels in Australia varies depending on a number of factors, including the type of solar panel, the efficiency of the solar panel, the size of the solar panel system, and the installer.



### Solar Panel Prices in South Africa 2024 , Cost Of Installing

2 ???· In South Africa, the cost of installing solar panels varies significantly depending on several factors. On average, solar panel installation costs between R70,000 for a modest ...



## Best solar panels UK in 2024 , Compare efficiency and prices

Our experts have researched a broad range of solar panels on the market to help you decide which option best suits your needs. While looking at different providers, we ...



## How Much Do Solar Panels Cost? (2024 Expert Guide)

How much do solar panels cost on average? Most people will need to spend between \$16,500 and \$25,000 for solar panels, with the national average solar installation ...

## How Much Do Solar Panels in the UK Cost? [2024 Prices]

Calculating the cost per square foot for solar panel installations can be tricky as prices are generally quoted based on the number of panels rather than area. However, a ...



## [JinkoSolar: The Comprehensive Review , Solar](#)

See how much solar panels cost in your area. Get Started Please enter a valid zip code. Zero Upfront Cost Best Price Guaranteed Efficiency - The solar panels that ...



## Solar System Prices & Packages , Solarpro Zimbabwe

We offer a wide range of solar panels, inverters, batteries, and more. Get a free quote today! About us; Projects; Pricing; Help Desk; Contact us; Solarpro Price Guide. Rent It Now. Cash ...



### [How Much Does Solar Cost , Tesla Support](#)

The best way to understand and compare estimates between different installers is to determine how much your solar panel system will cost per watt (\$/W). You can do this by taking the total ...

## Contact Us

---

For catalog requests, pricing, or partnerships, please visit:  
<https://vdbconstruction.co.za>