

# How to process photovoltaic panels and electric poles





## Overview

---

4.1.1 The pictures below represent the cutting EVA. As you can see, each component is equipped with 2 pieces. One Piece is needed to open both sides from the middle point. The opening should be done from a height of 80mm. It has the height of 80-85mm which is at the wire hole. 4.1.2 Cutting TPT (Back Plate).

4.2.1 Sorting by Appearance Here are the steps to follow: 1. In the registration form, fill the content of the outer box label of the cell into the incoming.

4.3.1 String Welding Procedures during Solar Panel Production Follow these procedures when string welding a solar panel: 1. Check for the.

Before you declare your photovoltaic cell ready, you need to carry out a mirror surface inspection. This step will help give you an assurance that the mirror of the solar panel is in a perfect condition. Here are the steps to follow: 1.

Here we are going to focus on the procedures for laying up the solar panel. 1. Check for any defects on the glass. These defects include chippings, impurities bubbles, dust, scratches and many others. 2. Check to ensure that.



## How to process photovoltaic panels and electric poles

---



### How are solar panels installed? , 11 steps explained

The solar panel installation process: explained  
Installing solar panels is usually relatively quick and straightforward, but it's still worth getting to know all the ins and outs of how it happens. After all, considering how much ...

### Ground-mounted solar panels: what you need to know

The average home requires about 19 solar ground-mounted panels. Here are the back-of-the-envelope calculations used to reach this figure: Let's assume the use of 400-watt panels and a ...



### Solar Panel Pole Mounts - Side & Top of Pole Mounting

Multi-pole Solar Panel Mounts. Large Solar Generator Systems. Whether roof mount, ground mount, top of pole mount, side of pole mount, tower mount or custom solar panel mounting, ...

### [How to Build Your Own DIY Solar System](#)

Grid-tied -- Your solar array is directly connected to the public electric utility which you pull from when energy demand is higher than your system output. Any excess is ...



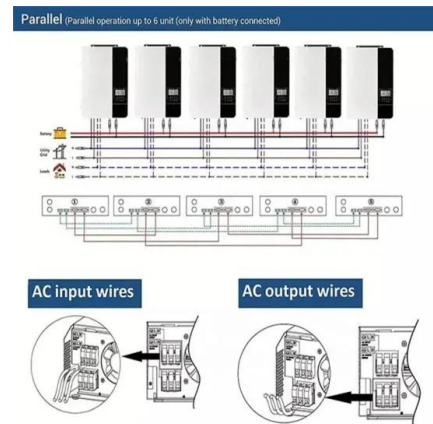
### Solar Street Light Poles: Types, Applications & How to Choose

In contrast, the lighting module and solar panel are separated in older generations of street lights, including split solar street lights and all-in-two lights. The solar ...



### Solar Street Light Pole: Everything About Installation & Challenges

A typical solar street light pole consists of several key components:.. Solar panel: This panel captures sunlight and converts it into electricity using photovoltaic cells. Battery: ...



### [How To Install a Solar Electric Fence](#)

The solar panel (see our diverse solar panel variants suggestions) built into your charger requires as much exposure to sunlight as possible in order to keep your electric ...



## Solar Panel Wiring Diagram for All Setups [+ PDFs] - Solartap

A solar panel wiring diagram (also known as a solar panel schematic) is a technical sketch detailing what equipment you need for a solar system as well as how ...



### How to Set Up a Solar Panel System: Step-by-Step ...

1. Calculate Your Power Load. If you haven't already, you'll need to calculate the total power you need from your solar panel system. The power load necessary for a home backup system will look much different from ...

### [How to clean solar panels in six easy steps](#)

Cost of cleaning solar panels "Solar panel cleaning costs between £4 - £15 per panel. The total solar panel cleaning costs will be affected by several factors, the biggest of ...



### How Solar Is Converted To Electricity: Complete Walkthrough

Moreover, there are various types of solar panels, for example, you may wish to put a fixed solar panel, which is placed under a specific angle to the surface and collects energy when the ...



### Solar Panel Manufacturing: Different Types Of Solar ...

Choosing the right solar panel is an important decision that requires careful consideration of the different types of solar panels, their efficiency, and the manufacturing process. By understanding the differences ...



### Converting Solar Energy to Electricity: The Science

The mastery of photovoltaic energy conversion has greatly improved our ability to use solar energy for electricity. This method shows our skill in getting power in a sustainable way. Thanks to constant improvement, ...



### Solar harvesting: How is solar energy collected? , Arrow

1) Photovoltaic solar panels. Photovoltaic (PV) solar panels use the sun's power to create a flow of electricity. This is the most widely adopted method of harvesting solar ...



### ESS



### How do solar cells work? Photovoltaic cells explained

A typical residential solar panel with 60 cells combined might produce anywhere from 220 to over 400 watts of power. generate electricity by absorbing sunlight and using ...



## How to connect a PV solar system to the utility grid

There is an ALTERNATIVE UTILITY CONNECTION called a "Supply or Line Side" connection. This connection is made BEFORE the main breaker. A junction box is added between the ...

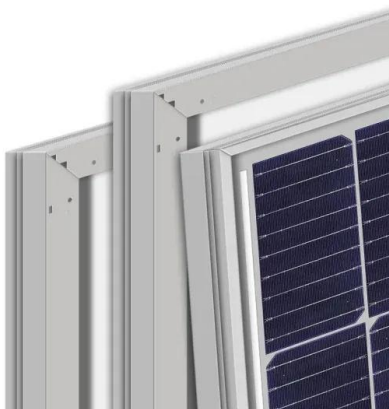


## The Complete Guide to Ground-Mounted Solar Panels

Think of it like planting a garden of solar panels. The second type is the pole mount. These are mounted on poles and can sometimes follow the sun during the day, which ...

## Easy DIY Guide: Cleaning Solar Panels from Ground Level

Solar Panel Cleaning Brushes: Specifically designed for solar panels, these brushes have soft bristles that won't scratch the surface and can be attached to telescopic ...



## HOW ARE SOLAR PANELS INSTALLED: 6 EASY STEPS TO INSTALL SOLAR PANELS

A residential system installed under subsidy, using average quality solar panels & inverters can start from Rs. 40,000 per kW while another system without subsidy, using Tier ...



## [How to Mount Solar Panels , AltE Store](#)

Solar panel mounts and racks are specialized equipment systems used to install solar panel arrays in a secure, stable position. Solar panel arrays can be mounted in many ways: on ...



## [Solar Panel Post Mount \(Fixing Options Guide\)](#)

Once the installation is complete, the panels are ready to be hooked to a solar power inverter and connected to your electrical wiring. Top of Pole Solar Panel Mount. The installation process for solar panel mounts on ...

## **Photovoltaic Basics (Part 1): Know Your PV Panels for ...**

In a photovoltaic panel, electrical energy is obtained by photovoltaic effect from elementary structures called photovoltaic cells; each cell is a PN-junction semiconductor diode constructed so that the junction is ...



## **Solar Panel Manufacturing: A Comprehensive Guide for Beginners**

See also: [How Much Does it Cost to Make a Solar Panel - A Detailed Overview on Solar Panel Production](#). [Solar Panel Manufacturing Process](#). [Solar panel manufacturing ...](#)



## How To Install A Solar Panel [A Complete Step-by-Step Guide]

That being said, installing solar PV panels can be a lot of work, especially for the ordinary person. Here's a complete guide on how to install solar panels with ease. 7-Step Solar Panel ...



## The Process of Solar Energy: From Sunlight to Electricity

Solar Panels: The Heart of Solar Energy Conversion. Solar panels, which consist of numerous PV cells, are at the core of the process of solar energy conversion. These cells are arranged in a grid-like pattern and ...

## How is Solar Energy Converted to Electricity?

Solar panels convert light into electricity. It's a complex process that involves physics, chemistry, and electrical engineering. With solar panels becoming an increasingly important part of the push against fossil fuels, it's ...



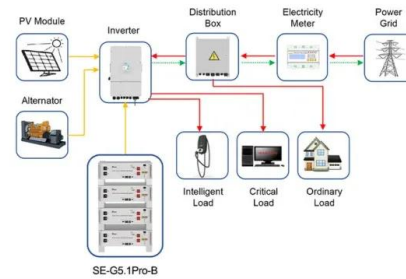
## [How Does a Solar Panel Work: Step by Step](#)

This article explains the process of converting solar energy into electrical power and explores the workings of a solar panel. This article explains the process of converting ...



## What are solar panels made of and how are they made?

Silicon is one of the most important materials used in solar panels, making up the semiconductors that create electricity from solar energy. However, the materials used to ...



Application scenarios of energy storage battery products



## How to Wire Solar Panels: A Step-by-Step Guide

MC4 Connectors: These connectors are designed specifically for solar panels and allow for secure and weatherproof connections. Solar Cable: Use solar-rated cables with ...

## Contact Us

For catalog requests, pricing, or partnerships, please visit:  
<https://vdbconstruction.co.za>