

How to purchase photovoltaic panels and batteries





How to purchase photovoltaic panels and batteries



The 8 Best Solar Batteries of 2024 (and How to Choose the Right ...

From backup power to bill savings, home energy storage can deliver various benefits for homeowners with and without solar systems. And while new battery brands and ...

How Much Do Solar Panels Cost? (2024 Expert Guide)

Solar panel repairs: Solar panels are extremely durable, and a National Renewable Energy Laboratory study found that solar panel failure rates are incredibly rare, but ...



[How Much Do Solar Panels Cost?](#)

They offer a range of solar panel and battery packages, from £4,995 for a typical 6-panel system. Customers whose electricity is supplied by E.ON Next and have had both solar panels and a battery installed by E.ON Solar and Storage team ...

Solar Battery Price in the UK: Complete 2024 Cost Guide

In the UK, a 9 - 10kWh solar battery for a standard 4kW solar panel system typically costs between £8,000 to £9,500. When combined with the solar panel system priced at £9,000 to ...



2024 Best Solar Batteries: How to Choose the Right One

AC-coupled batteries have their own battery inverter that can turn solar power that has already been converted to AC power back into DC power that can be stored. This makes AC-coupled ...

Solar Kits , SunWatts

Understanding Grid Tie Solar Panel Kits. With the rising cost of energy prices, solar home kits have become increasingly popular. These grid-tie kits provide the essentials needed for setting ...



DIY Solar System (A Complete Guide For Beginners)

Most solar panel manufacturers back their products with a linear performance warranty for 25 to 30 years. You can therefore expect to be earning free electricity for at least 20 to 25 years.



Solar Panel Buying Guide: Picking the Right Panel for You

The Inflation Reduction Act, providing a 30% tax credit for the cost of solar panel system installations, along with falling solar panel prices and rising electricity costs, makes the case for

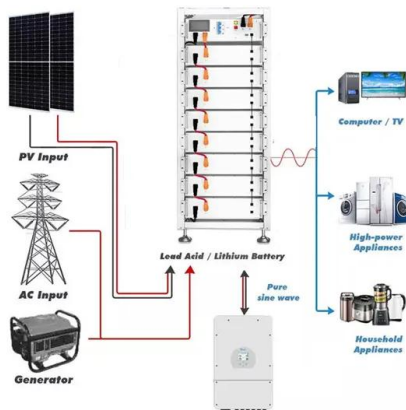


[How to Build Your Own DIY Solar System](#)

Grid-tied -- Your solar array is directly connected to the public electric utility which you pull from when energy demand is higher than your system output. Any excess is sent to the grid. In most places, the electric ...

Solar Panel Cost in 2024: How to Estimate The Cost of Solar , Solar...

At a retail vendor, such as Home Depot, you can buy a single 100W solar panel for \$100 or a pack of 10 320W solar panels for \$2,659, which boils down to \$0.83 to \$1 per watt. Given the ...



DIY solar panels UK: Our guide to do-it-yourself solar ...

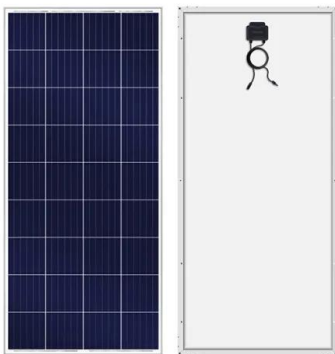
Below, we'll reveal a few of the best DIY solar panel kits you can buy. First, here's our guide to installing a solar panel or two by yourself - and our advice on when to leave it to the pros. Renology's off-grid kits start at just ...



Solar Battery Buying Guide: Everything You Need to Know

Pros and cons of solar batteries. The pros and cons of buying a battery largely boil down to savings (and backup power) versus cost. The extra solar electricity you store in your solar ...

ESS

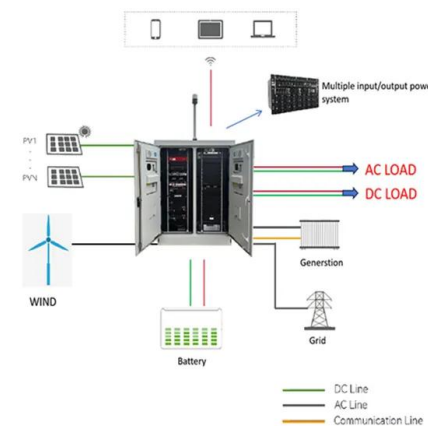


Solar Battery Cost: Is It Worth It? (2024)

California's new NEM 3.0 laws actually incentivize solar panel owners with battery storage to make the most out of time-of-use energy rates in this way, but it's worth checking ...

Solar Panel Wiring Basics: Complete Guide & Tips to Wire a PV ...

Connect solar panel strings in parallel by using a connector known as MC4 T-Branch Connector 1 to 2, I assume you have a good backup battery at 14 V you will be ...



Are solar batteries worth it? [UK, 2024]

You'll usually only need one solar battery to power your home, as long as you choose one that's the right size. The typical three-bedroom household that has a 3.5kWp solar panel system and the average electricity ...



Solar panels for your home

Solar panel and battery options tailored for your home; Preferential SmartGen+ Export Tariff - if you buy solar panels from us, you'll always get our best rate; How much it will cost to buy ...



How Much Do Solar Panels Cost? (2024 Breakdown ...

For example, on a \$18,604 solar panel the charge controller, the battery bank, the power inverter and the energy meter. you can purchase a DIY solar panel installation kit for about \$1 to



DIY Solar Systems & DIY Solar Panels. UK-wide Delivery.

The solar panel generates the energy, the charge controller feeds that energy to the battery and the battery connects to the building or vehicle. Depending on the system, there may be an ...



How Much Do Solar Panels Cost in the UK? A 2024 ...

Solar panel inverter. The solar inverter is a key part of any solar panel system, converting electricity from DC to AC. This needs to happen before the inverter can be installed. The cost of your inverter will be included ...



4kW Solar System in the UK: Costs, Output & Pros + Cons

4kW solar panel systems are best for medium-sized homes with 2 - 3 bedrooms.; A 4kW system will produce up to 3,400kWh of energy per year.; It will cost approximately £5,000 - £6,000 to ...

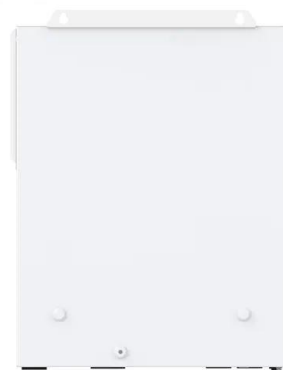


[How Much Does Solar Cost , Tesla Support](#)

The factors that make up how much it costs to install a solar panel system fall into two general categories of hardware costs and soft costs. Hardware costs include the actual equipment that ...

Solar panels: Are they worth it? - MoneySavingExpert

Some installers let you buy solar panels on credit. If you don't have the cash upfront, panels aren't for you. The loan's interest could dwarf the savings. However, if you ...



The 7 Best Solar Batteries in 2024 , Tested by Experts

A solar battery will last on average around 12 years, meaning you'll typically need to purchase two within the lifespan of your solar panel system. Batteries won't suddenly ...



Solar Panel Battery Storage: Can You Save Money Storing ...

Solar panel battery storage: pros and c.ons. Pros. Helps you use more of the electricity you generate. Cuts your electricity bill if you buy less from your energy supplier.



Homeowner's Guide to Going Solar , Department of Energy

These are the panels you've seen on rooftops or in fields. When the sun shines onto a solar panel, photons from the sunlight are absorbed by the cells in the panel, which creates an ...

Contact Us

For catalog requests, pricing, or partnerships, please visit:
<https://vdbconstruction.co.za>