

Hyper tough 18v lithium-ion battery





Overview

What is a Hyper Tough 18v battery?

The Hyper Tough 18V Battery delivers reliable power to your tools, combining efficiency and durability. Its robust design ensures optimal performance, making it a dependable choice for various DIY projects.

What is a Hyper Tough 20V Max lithium-ion battery?

The New Hyper Tough 20V MAX Lithium-Ion Battery (AQ90051G) is the perfect upgrade for your Hyper Tough Power Tools. This 20V MAX 2.0Ah lithium battery pack delivers steady consistent power for a long consistent charge and battery life.

What is a Hyper Tough battery?

Manufactured to original specs, Hyper Tough batteries restore runtime and performance. Hyper Tough replacement batteries are designed for Hyper Tough tools but always verify specific model compatibility before purchasing. Some tools may support multiple battery options.

What kind of battery does a Hyper Tough 18V drill use?

This Driver Drill, can be used as just a drill or you can put bits in it to drive screws. It uses and 18 volt Ni-cad Battery that provides plenty of power. It is fairly compact and weighs only 3.43 lb. He used it wi. Thank you for the great review and we are glad the Hyper Tough 18V Drill and the rest of the Hyper Tough products meet your .

What is a Hyper Tough 20V Max 4.0ah battery pack?

The Hyper Tough 20V Max 4.0Ah Battery Pack contains additional power than the standard battery pack that came with the cordless leaf blower. This is especially useful for longer use at one time. Battery for my line trimmer arrived fast, was charged and ready to go.



Does Hyper Tough aq75005g have a battery?

HYPER TOUGH AQ75005G 18V Cordless Drill with Battery, TESTED! Hyper Tough 18v ni - cd cordless drill No charger Or Battery. Tested. HYPER Tough AQ75005G 18V Cordless Drill. Comes with the battery. No charger! Hyper Tough 18v ni - cd cordless drill No charger Or Battery. Tested. Copyright © 1995-2023 eBay Inc. All Rights Reserved.



Hyper tough 18v lithium-ion battery



Ridgid Hyper Lithium-ion Batteries for 12V and 18V Tools

Ridgid Lithium-ion Batteries - Every Available Model 18V 1.5 Amp-hour Compact Battery Model: AC870015N Voltage: 18V Amp-hour rating: 1.5 Ah Charge time: 20 minutes Price: \$69.97 18V 2.0 Amp-hour Compact Battery Model: AC8400802 Voltage: 18V

Hyper Tough 20V MAX Power Tools Battery Interface

This means that it will be really easy to interface any other brand's 18V/20V lithium ion battery pack with some Hyper Tough power tools. There is possibility that there are other Hyper Tough power tools that utilizing the T terminal. If your power tool doesn't



HYPER TOUGH AQ75034G INSTRUCTION MANUAL Pdf ...

View and Download Hyper Tough AQ75034G instruction manual online. 20V MAX Lithium-Ion Cordless Drill. AQ75034G drill pdf manual download. Page 1 This warranty gives you specific legal rights and you may have other legal rights which vary from state to state For questions, please contact American Customer Service 1-800-840-7856 ITEM # AQ75034G 5805C ...

[18V NiCd Battery Hyper Tough for sale , eBay](#)

For Dewalt 18V/20V Li-Ion Battery Convert to Hyper Tough 20V Drill Tools Adapter Opens in a new window or tab Brand New \$17.99 Was:



\$19.99 10% off or Best Offer Free shipping from China 16 watchers Sponsored aikesi_wholesaler (236) 99.5% Hyper Tough



Hyper Tough 18-Volt Ni-Cad Cordless Drill (tool only)

The Hyper Tough AQ75023G 18-Volt Ni-Cad Cordless Drill gives you the power needed to tackle the most demanding jobs quickly and efficiently. This compact and lightweight drill has 20 torque positions plus one ...

Hyper Tough 20V MAX Power Tools Battery Conversion Guide

See "Notes on Lithium Ion Battery Packs" section in the "Power Tools Battery Conversion Guide" page. Cross-Reference DIY Adapter for Ridgid 18V Battery to Hyper Tough 20V MAX Power Tool The adapter above is a do-it-yourself adapter, so you will need



Hyper Tough 12V Max 2.0Ah Lithium-Ion Rechargeable Battery, ...

Vanon 6.0Ah for Milwaukee M18 18V Lithium XC Extended Capacity Battery 48-11-1860 1850 Add \$38.69 current price \$38.69 New Hyper Tough 20V Lithium-Ion 2.0Ah Battery, HT21-401-003-10 New Hyper Tough 20V Max 4.0Ah Battery Pack, HT21-401-003



I Tested the Hyper Tough 18V Battery Charger: Here's ...

Compatibility: This charger is compatible with all Hyper Tough 18V lithium-ion batteries, making it a convenient option for those who own multiple power tools from the brand. Rapid Charging: The charger has a quick charge feature that ...



[HYPER TOUGH 18V NI-CD CORDLESS DRILL, HT ...](#)

HYPER TOUGH 18V NI-CD CORDLESS DRILL
WHAT'S INCLUDED (1) 18-Volt Ni-Cd Cordless Drill (1) Battery Charger (1) Double-End Screwdriver Bit (1) NI-Cd Battery Pack
SPECIFICATIONS Rated Voltage: 18 V No-Load Speed: 0-550 ...

[Hyper Tough 18V Charger for sale](#)

Hyper Tough 18V Lithium-Ion Battery Charger Charging Stand For CD304-18-BL Opens in a new window or tab Pre-Owned \$25.70 Buy It Now +\$30.70 shipping estimate from United Kingdom Sponsored Customs services and international tracking provided 5.0



Hyper Tough Battery

Hyper Tough 20V Max 2.0Ah Lithium-Ion Rechargeable Battery The New Hyper Tough 20V MAX Lithium-Ion Battery (AQ90051G) is the perfect upgrade for your Hyper Tough Power Tools. This 20V MAX 2.0Ah lithium ...



Hyper Tough Battery

Hyper Tough 20v Max Lithium Battery Hyper Tough 20v Max 2.0ah Lithium-Ion Rechargeable Battery is engineered of power and longevity. This powerhouse breathes life into your tools, transforming routine tasks into ...

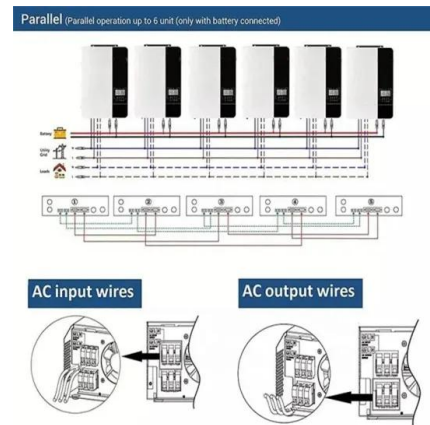


RIDGID 18V 2.0Ah HYPER Lithium-Ion Compact Battery Pack

RIDGID introduces the new 18V 2 Amp Hour Hyper Li-Ion Battery. This 2.0Ah battery will give the user up to 2X more runtime and has 2X longer life compared to standard Li-Ion batteries. Best of all, this 2.0Ah battery is 100% compatible with all RIDGID 18V tools and Li-Ion chargers.

[hyper tough 18v battery only for sale . eBay](#)

NEW For Dewalt 18V/20V Li-Ion Battery For Hyper Tough 20V Drill Tools Adapter Opens in a new window or tab Brand New \$21.99 ruilong_direct (1,254) 99% Buy It Now Free shipping from China Sponsored Cordless Digital Inflator Hyper Tough 12 Volt 6 Minute



Hyper Tough 20V Max 2.0Ah Lithium-Ion Rechargeable Battery, ...

New Hyper Tough Lithium-Ion 20 Volt MAX 2.0AH Battery (AQ90051G) 2 Year Limited Warranty Compatible with all Hyper Tough 20V MAX Lithium-Ion Cordless Power Tools 30% Longer Run Time (Based on comparison with 1.5 Ah Hyper Tough 20V Lithium-Ion



I Tested the Hyper Tough 18V Battery: The Ultimate ...

The Hyper Tough 18V battery has been my go-to choice for all my power tool needs due to its compatibility, durability, quick charging time, and cost-effectiveness. If you are in search of a reliable and budget-friendly option for ...



I Tested the Hyper Tough 18V Battery: Here's Why It's a Must ...

In this article, I'll be taking a closer look at what makes the Hyper Tough 18V Battery stand out from the rest and why it should be on your must-have list of tools. So let's ...

Battery Adapter for Milwaukee M18 18V Battery to for Hyper Tough ...

The battery adapter is used to converter for Milwaukee M18 18V Li-ion battery into Hyper Tough 20V Li-ion battery, to fit for Hyper Tough 20V Max Lithium-Ion Cordless Power Tools. (Adapter ONLY, NO BATTERY) Customer reviews 4.2 out of 5 stars 4.2 out of 5



[Hyper Tough Battery And Charger \(28\)](#)

Hyper Tough 20V Lithium-ion Battery Fast Charger for Hyper Tough 20V Rechargeable Batteries 287 4.5 out of 5 Stars. 287 reviews Hyper Tough 20V Max Cordless 22-inch Hedge Trimmer, 2.0Ah Battery and Charger Included, ...



Hyper Tough 20V Max 2.0 Ah Lithium-Ion Battery, HT21-401-003 ...

Compatible with all Hyper Tough 20V Tools and Power Equipment; Hyper Tough 20V 2.0AH Battery Pack and all Hyper Tough chargers Good Runtime, Long-lasting power Compact and Lightweight Specs: 2.0Ah 20V Lithium-Ion Battery Assembled Product Dimensions (L x W x H): 4.8x3x1.7 Weight: 0.9 lbs (0.4kg) Model# HT21-401-003-10, 8704 2-Year Limited Warranty



How to Charge Hyper Tough Drill? (3 Simple Steps)

If you don't have one, get a 20V lithium-ion Hyper Tough drill charger online or from a local electronics shop. Step 3: Plug in the Charger Plug in the charger and flip the switch to the on position to charge the battery. A red ...

Hyper Tough 20V Max 4.0Ah Battery Pack, HT21-401-003-11

Comparison Chart: Weight 1.55 lb Hyper Tough 20V Max 4.0Ah Battery Pack, HT21-401-003-11 0.77 lb Hyper Tough 20V Max 2.0Ah Lithium-Ion Rechargeable Battery, New Condition 0.99 lb Hyper Tough 12V Max Lithium-Ion 4.0Ah Battery, Model 80104 6.5 oz Hyper Tough 12V Max 2.0Ah Lithium-Ion Rechargeable Battery, Model 99335



Battery String-S224

- 1C Charge/Discharge
- Easy configuration and maintenance
- Power supply can be single battery string or parallel battery strings

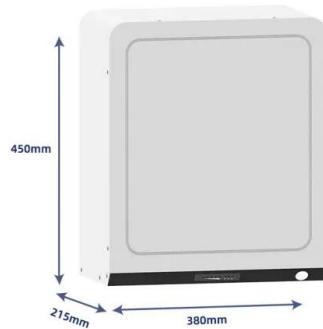
I Tested the Hyper Tough 18V Battery Charger: Here's Why It's a

Compatibility: This charger is compatible with all Hyper Tough 18V lithium-ion batteries, making it a convenient option for those who own multiple power tools from the brand. Rapid Charging: The charger has a quick charge feature that can recharge your battery in just one hour, saving you time and allowing you to get back to work faster.



[Hyper Tough Drills in Hyper Tough Tools](#)

Hyper Tough 20V Max Lithium-Ion Cordless Hammer Drill, 1/2 inch Chuck, 2 Speeds with 1.5Ah Lithium-ion Battery & Charger, Bit Holder & LED Light, New Condition \$ 31 46 current price \$31.46 \$44.88 Was \$44.88 Hyper Tough 20V Max Lithium-Ion Cordless



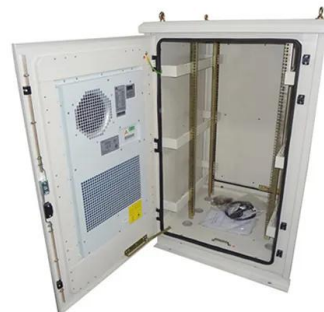
[Who Makes Hyper Tough Tools? \(Find Out Now!\)](#)

The 18v battery may not have the power to handle some tasks whereas the 20v can pretty much take on all comers. Lithium-ion battery. One of the major improvements over the 18v battery is that it delivers in battery quality. The lithium-ion battery delivers a



I Tested the Hyper Tough 18V Battery Charger - Here's Why It's ...

The Hyper Tough 18V Battery Charger is a compact and efficient charger designed specifically for charging 18V lithium-ion batteries used in power tools. It is compatible with all Hyper Tough 18V power tool batteries and can charge them in just one hour.



power tool battery cross compatibility , The Ranger Station

Ryobi is the only battery that has truly stayed the same since inception. They are a decent make, and have a very wide range of tools. Their drill and impact are top notch. Some other tools not so much. The small lithium ion batteries are junk, but their 4.0Ah



HYPER Tough 18v Lithium-ion Cordless Drill AQ75006G

Find many great new & used options and get the best deals for HYPER Tough 18v Lithium-ion Cordless Drill AQ75006G at the best online prices at eBay! Free shipping for many products!



Batteries & Chargers

18V Lithium Battery with Charger \$ 19.99 Add to Cart Add to List WARRIOR 12V Lithium-ion Battery with Charger 12V Lithium-ion Battery with Charger \$ 14.99 Add to Cart Add to List ATLAS 80V 2.5 Ah and 40V 5.0 Ah Lithium-Ion Battery

Interchangeable Power Tool Batteries (Compatibility Chart)

Compatibility chart for power tool battery adapters with buy links, so that (e.g.) your DeWalt batteries and Ryobi tools are interchangeable with an adapter. DeWalt 20V Tool B & D 20V 20V Tool Milwaukee 18V Tool Ryobi 18V Tool DeWalt 20V Battery X \$21* \$14 \$11



I Tested the Hyper Tough 18V Battery and Here's Why It's a ...

I tested the Hyper Tough 18V battery and was blown away by its long-lasting power and durability. Upgrade your tools with this reliable battery today!



[Amazon : Hyper Tough Battery](#)

1-48 of 72 results for "hyper tough battery"
Results. Check each product page for other
buying options. AVID POWER. 20V MAX 1.5 Ah
Lithium Ion Rechargeable Battery with Real-time
...



Contact Us

For catalog requests, pricing, or partnerships, please visit:
<https://vdbconstruction.co.za>