

# Install photovoltaic panels on the engine cover





## Overview

---

Off-grid systems let you run your lights, refrigerator, and other appliances without relying on electricity mains or shore power. Unlike on-grid systems, off-grid renewable power does not rely on electricity provided by a local utility company. Instead, these systems use other sources like solar power, wind turbines, hydropower.

Motorhome owners can use portable power stations or solar generators to store energy and power their appliances. A portable power station serves as a battery. You can recharge it via an.

Before beginning your motorhome solar panel installation, you'll need to gather the following: 1. Solar panels 2. Portable power station 3. Strut.

When installing solar panels on your motorhome, there are a few things you'll want to avoid to optimise performance. 1. Roof obstructions: Avoid placing your panels too close to the roof's edge to reduce the risk of.

While installing solar panels on a motorhome roof isn't required, a roof-mounted solar system allows you to collect energy while travelling on the road. You have a few options for.

Can you install solar panels on a campervan roof?

If you answered yes to either of those, solar panels could be your answer. You can install solar panel kits onto your campervan roof and generate free, renewable energy whether you're driving, parked or in storage. We're fitting solar panels to our homes, so why not our home-from-home too?

.

How do you install a portable solar panel?

You'll need to drill holes and install channel struts for a rigid solar panel. Flexible solar panels only require adhesive tape. But portable solar panels make it even easier by allowing you to move the solar panels, place them on the ground and transport them in a convenient kickstand case.



## How to install solar panels on a roof?

You'll need to drill holes if you opt for rigid solar panels with a fixed mount. Next, bolt the brackets tightly based on the positioning of your panels. Apply sealant underneath the brackets to keep an air-tight seal and prevent potential roof leakages. Attach the solar panels to the fixed mounting hardware. 4. Connect Multiple Solar Panels.

## How to install a solar panel on a motorhome?

Feed the cable through the hole and bond the special cable cover to the roof of your motorhome to keep the rain out. If your panel mount needs to be bonded into place, apply generously to the bottom of the mount and set it into position. Prepare the wires for connection to the solar panel but don't fit the connectors just yet.

## What are solar panel kits for van conversions?

Solar panel kits for van conversions include everything you need to set up your solar system: panels, charge controller, mounts, cables, sealant and all the components and connectors to make it work. All our kits come with full fitting instructions and our expert team of installers are only a phone call away should you need help.

## How do I install a solar panel for a van conversion?

Many of our solar panels for van conversions use standard quick connect cables to make installation nice and easy for you. You'll need to install your charge controller and connect your cables to this and your battery for the final set-up. It should ideally be installed as close as possible to your leisure battery, no more than 1 metre away.



## Install photovoltaic panels on the engine cover

---



### [Installing Solar Panels on a Van](#)

Many of our van solar panel kits involve mounting solar panels on your van roof without drilling, but you can choose to use stainless steel grommets in the panel instead. You may need to drill ...

### How are solar panels installed? , 11 steps explained

In this guide, we'll explain a typical solar panel installation from start to finish, as well as what all the hardware does, and where on your property you can install the panels. ...



### [HEALTH AND SAFETY Solar panel installation](#)

An example of completely unacceptable installation work practices that could easily result in death or serious injury. Unsafe work at height like this would normally lead to immediate enforcement ...

### The MCS Certificate for Solar Panels: Explained , Eco ...

A solar panel installation will be rewarded with an MCS certificate if it: Is commissioned by an MCS-certified installation company; Is built with MCS-certified products; Has a commissioning date after 15th July 2009; ...



CE UN38.3 (MSDS)



### [A consumer's guide to solar pv installation](#)

Page 4 of 11 - A consumer's guide to solar PV installation  
Solar PV - How it works  
There are three basic types of PV panels: - Monocrystalline  
- Polycrystalline - Amorphous  
All are made ...

### [Why Solar Panels On Car Parks Are The Future](#)

Adding panels to a multi-storey car park could cost over £400,000. However, solar can reduce a car park's overall operational costs. Countries like France, China and the United States are in on the action. Solar ...



### **Boat solar panels: Everything you need to know to get started**

Getting the balance right is important, especially if you want to install enough boat solar panels to more or less cover your power requirements.  
David Berry's Moody Eclipse ...



## Everything you need to know about solar panels on boats: What ...

In fact, it's pretty rare these days to see any type of boat that doesn't have a solar panel installed. But choosing the right solar panel for your boat can be easier said than ...



## [How to Install Solar Panels on a Van](#)

How to install solar panels on a van. Your solar panel kit comes with everything you need, including the solar panel(s), panel mounts, charge controller, cables and all connectors and components necessary to install your solar panels on ...

## [Solar Panel Patio Cover \(Awesome Options\)](#)

A solar panel patio cover is also a great option if solar panels cannot go on your roof, hooking into your home's electricity and providing power. Alternatively, a solar panel patio cover is an excellent option to extend your ...



## How to Install Rooftop Solar Panels: A Step-by-Step Guide

Introduction to Rooftop Solar Panel Installation. Fenice Energy is eager to help you set up rooftop solar panels. This green energy method is amazing for many reasons.



### DIY Solar Panel Installation Guide

DIY Solar Panel Installation is a great way to produce renewable energy and lower your energy bills. Read our guide on how to install solar panels yourself. Each kit comes with full installation instructions but we'll cover some generic ...



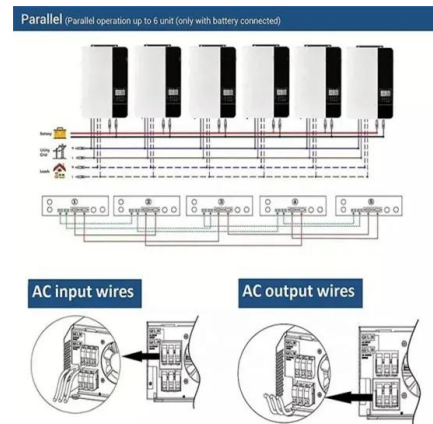
### **Domestic Solar Carport**

Polysolar offers a range of standard Solar Carport designs as well as bespoke solutions, deploying our unique transparent PV glass or conventional solar panels that for the watertight roof. We also offer integrated EV plugs (from a range of ...



### **Home Insurance & Solar Panels , MoneySuperMarket**

Notifying insurers about solar panel installation. When you decide to install solar panels, it's imperative to inform your home insurer about the change. To safeguard against ...



### **Solar panels UK: The complete guide , The Independent**

Installing a solar panel system large enough to cover your household's energy needs is one step towards off-grid, along with installing small wind turbines and using non ...



## Flexible Solar Panels for Car Roof: The Installation Guide

With the ability to bend and flex, these thin, lightweight panels can easily cover curved and irregular roof surfaces. By following the steps outlined here, you can successfully collect and convert sunlight into storable energy to power your ...

Sample Order  
UL/KC/CB/UN38.3/UL



### [Do Solar Panel Protective Covers Work?](#)

Solar panel protective covers are a great way to improve the lifespan, and efficiency of your solar panels. Do you live in a region with frequent snow storms or extended ...

## Clause 10.2 Solar Photo-Voltaic (PV) Installation

(1) For access to PV installations on the roof (excluding non-PV areas), at least one exit staircase shall be provided. Where the area is large and one-way travel distance to the exit cannot be met, an additional cat ladder or ship ladder ...



### [Campervan Solar Panel Installation Guide](#)

Now you have an idea of which solar panel kit to buy, let's cover the basics of how to fit the solar panels to your campervan. The following is a general guide to fitting solar panels to campervans by drilling into the roof, or take a look at our ...



### Fitting a Solar Panel to your Campervan

As a general guide. On a sunny day, a 100W solar panel will produce approximately 4-5 amps per hour in full sun. This means that the solar panel would take around 18-25 hours to charge a ...



### **Solar Panel Wiring Basics: Complete Guide & Tips to Wire a PV ...**

Photovoltaic (PV) systems are one of the most important renewable energy sources worldwide. Learning the basics of solar panel wiring is one of the most important tools ...

### **Solar Panels On Cars: Everything You Need To Know**

Can You Put Solar Panels On Cars? While you can install solar panels on your car, the limitations of solar panels and battery storage mean that you will only be able to power a few systems on your car and not the entire vehicle. It will also ...



- IP65/IP55 OUTDOOR CABINET
- ALUMINUM
- OUTDOOR ENERGY STORAGE CABINET
- OUTDOOR EQUIPMENT CABINET

### **Solar Panels On Cars: Everything You Need To Know**

While you can install solar panels on your car, the limitations of solar panels and battery storage mean that you will only be able to power a few systems on your car and not the entire vehicle. ...



## Installing a Photovoltaic System in Cyprus: Complete ...

From the benefits of photovoltaic systems to choosing the right system and finding a reliable installation service, this guide covers all the important factors to consider when embarking on this energy-saving journey. [Table of Contents](#)



## Boat solar panels: Everything you need to know to get ...

Where should I install my boat solar panels? If you're just fitting a small panel to top-up batteries on a mooring, buy a cheap rigid panel and find places on your boat where you can tilt it to catch the sun's rays for the ...

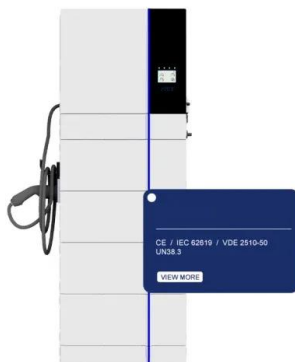
## [Are solar canopies and carports worth it?](#)

The solar system - including the panels, solar inverters, mounting equipment, and necessary wiring - will have an installation cost of \$3,500 to \$9,000. This assumes a solar panel kit between 3.5 kW and 6 kW in size - enough to power ...



## Mapping Photovoltaic Panels in Coastal China Using Sentinel-1 ...

Photovoltaic (PV) panels convert sunlight into electricity, and play a crucial role in energy decarbonization, and in promoting urban resources and environmental sustainability. ...





## Contact Us

---

For catalog requests, pricing, or partnerships, please visit:  
<https://vdbconstruction.co.za>