

# Is it illegal for a company to install photovoltaic panels





## Overview

---

Are solar panels legal?

However, it's crucial to understand that while installing solar panels is legal, certain conditions must be met. For most domestic properties, solar panel installations are considered a "permitted development" and do not require planning permission, provided they respect certain size criteria.

Can I install solar panels if I don't meet building regulations?

Your local authority can also apply for a Confiscation Order to take away any money you've earned with your system – so there's absolutely no benefit to installing solar panels that don't meet building regulations. It's crucial that your solar installation follows all building regulations.

Do you need planning permission to install solar panels on your roof?

An increasing number of people are investing in solar energy. More and more homes are having solar panels, or solar tiles, installed on their roofs. Of course, with such installations, the topic of planning permission and building regulations often comes to the surface.

Do solar panels need Building Regulations approval?

Building regulations approval is mandatory for solar panel installations in the UK. The approval process ensures compliance with safety, structural, and electrical standards. It verifies that the installation is carried out by competent installers and that all relevant regulations are adhered to.

Can solar panels be built without permission?

This is because they generally fall under permitted development rights, which allow homeowners to make reasonably sized changes without getting permission. The exceptions to this rule are typically flats, listed buildings, homes in conservation areas, and ground-mounted installations. What are the building regulations for solar panels?



Do solar panels need planning permission?

Typically, solar panel installations in the UK are considered “permitted developments” and do not require planning permission, as long as they meet certain conditions. However, permissions are necessary if the building is listed or in a conservation area. What is MCS certification and why is it important for solar panel installation?



## Is it illegal for a company to install photovoltaic panels

---



### Solar Installation Regulations in South Africa

Along with knowing the guidelines for solar installation, it's also key to help people understand the upsides and impacts of solar energy. Educating people about ...

### DIY Solar Panels: Pros and Cons of Installing Them ...

This means that installing solar panels yourself could save you almost 50 percent off the cost of using a big solar company. That is, if you can find good prices on panels and other components



### [Solar Panel Costs UK \(Updated: November 2024\)](#)

A typical 4kW solar panel system for 2-3 bedroom houses costs £5,000 - £6,000 with installation. Added together, the total cost of solar panels and a battery in the UK is £13,000 - £15,500. Added together, the total ...



### Planning permission for solar panels , The Independent

Find out if you need to get planning approval before installing solar panels on your home, including information for listed buildings, flat roofs and gardens.



### Do You Need Building Regs for Solar Panels in the UK

Building regulations approval is mandatory for solar panel installations in the UK. The approval process ensures compliance with safety, structural, and electrical standards. It verifies that the installation is carried out ...



### Solar Panel Installation Philippines for 3kw, 5kw, 10kw

Solar panel installation cost in the Philippines are influenced by various factors, such as the market situation, supply chain, manufacturer, and type of solar panel, they may be outdated and do not consider effects such as ...



**Low Voltage Lithium Battery**  
6000+ Cycle Life

### A Complete Guide To Commercial Solar Panels - Forbes Home

The average solar panel for a home will have 60 or 72 cells, while a commercial solar panel will have 96 cells or more. Advertisement THIS IS AN ADVERTISEMENT AND ...





## Solar Panel Building Regulations and SAP calculations, UK Guide

In April 2008, changes to legislation were made. This deemed that the installation of solar panels became a permitted development. As a result of this, planning ...



### [How to Design and Install a Solar PV System?](#)

Suppose, in our case the load is 3000 Wh/per day. To know the needed total W Peak of a solar panel capacity, we use PFG factor i.e. Total W Peak of PV panel capacity =  $3000 / 3.2$  (PFG) ...



## Do I Need a Permit to Install Solar Panels? (Use This Checklist)

To help you figure out if you need a permit for your solar panel installation, we have prepared a checklist with points which will guide you step by step by providing all the ...



### [DIY Solar Panel Installation Guide](#)

DIY Solar Panel Installation is a great way to produce renewable energy and lower your energy bills. Read our guide on how to install solar panels yourself. Skip to content. 8.00am - 4.00pm; And what better project than providing ...





## Solar Panels for Flats and Apartments in the UK: A Guide

Installing a solar panel setup that covers all your energy costs is a major investment which can cost roughly £4,000 to £5,000 for a decent-sized apartment, excluding installation costs. Think ...



## Solar panel grants UK 2024 funding explained , The ...

Solar panels can reduce your annual bills by more than £1,000 Zero per cent VAT on solar panels can save you almost £2,000 on a 4.5kW system with a battery By applying for a solar panel grant

## Planning Permission for Solar on Commercial Buildings

Yes - quite a few actually! You will probably need planning permission for your commercial solar installation if any of the following circumstances apply: Your solar panels will be installed on a listed building; ...



## Installing Domestic Solar Panels UK: Your Legal Questions Answered

In most cases, planning permission is no longer required to install solar panels on the roof of your private home thanks to the recent extension of the 2008 'Permitted ...



### DIY solar panels: Should you install solar yourself?

A do-it-yourself (DIY) solar panel installation may be tempting, but it could cost you more in the long run. DIY solar panels will only save you about 10% of your total bill . With the risk of improper installation, lack of ...



### Is It Legal To Install Your Own Solar Panels in the UK?

Self-installing your solar panels could void warranties and insurance policies. Manufacturers typically require an MCS-certified installer to uphold the product warranty. ...

### Building regulations for solar panels: explained [UK, 2024]

Solar building regulations: at a glance. ? The main regulations are about structural safety, electrical safety, and ventilation. Local authority approval is a must. Your installer must gain building regulations approval from ...



### Legal and Planning Permissions Associated with a Solar Panel ...

By cutting red-tape in the planning system we can make sure homeowners and businesses can install solar panels without being held up by costly delays. Crucially, these permitted development



## FAQs on Solar PV Systems

1. What are photovoltaic (solar) systems or "PV"?  
A photovoltaic (PV) system uses PV cells to convert sunlight into electricity. PV cells are made of semiconductors and are used to ...



## Legal and Planning Permissions Associated with a Solar Panel ...

Legal and Planning Permissions Associated with a Solar Panel System UK. Solar Panel Legal and planning for England. In England and Wales, the domestic installation ...

## Best solar panel installers UK: How to choose the best company ...

How we test solar panel installers. With roughly 2,000 solar panel installation businesses operating in the UK in 2023, and as a result of a solar installation being such a ...



## [Photovoltaic \(PV\) Solar Panels](#)

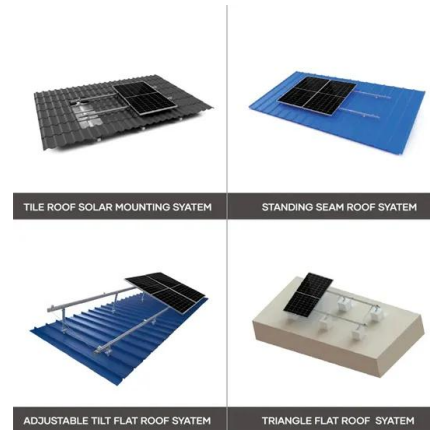
Under typical UK conditions, 1m<sup>2</sup> of PV panel will produce around 100kWh electricity per year, so it would take around 2.5 years to "pay back" the energy cost of the panel. PV panels have an ...





## Solar Panels in Singapore: Expert Answers 6 Questions on How to Install

"Most property owners in Singapore choose to maximise their roof space for their solar panel installation, as larger systems equate to lower unit costs. That said, you may ...

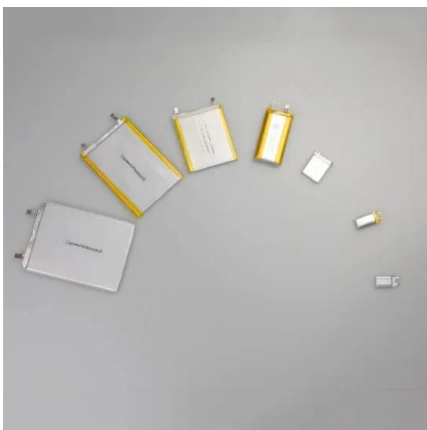


## Solar Panel Permitting

City, county, and state offices need to review the plans for your home project to ensure they are compliant and up to code. While our solar array designers are experts at creating effectively laid out systems, there are ...

## Installing solar panels in my community: Permits and requirements

What does a collective solar panel installation consist of? This sustainable model making huge headway in becoming the norm. As part of this system, several ...



## Are Solar Panels a Practical Investment for Businesses?

Ultimately, the best solar panel system for your business will depend on your budget, space constraints, and desired solar panel output. By understanding the differences ...



Solar panels cost in the UK: 2024 prices

The average cost of a solar panel system for a typical three-bedroom house in the UK is £9,600, including a battery. Solar panels can save you up to £1,014 annually, ...

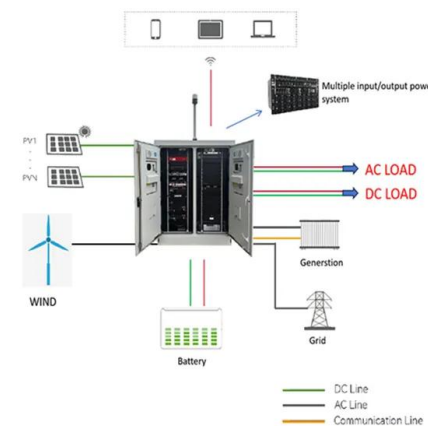


How Much Do Solar Panels Cost?

Solar panels could reduce your bills and even earn money by generating electricity you can sell back to your energy company. But the average solar panel system of 3.5kWp will cost around ...

EMA , Solar Installation Guide

If the solar PV system has a capacity of 1MWac and above, you may also have to apply for a generation licence and register with the Energy Market Company. Visit SP Group website for more information on the installation and connection ...



**Solar Panel Installation Guide - Step by Step Process**

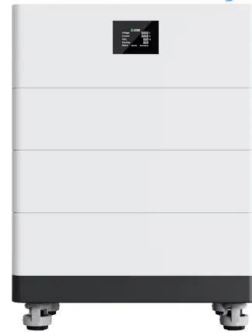
Solar Panels perform at optimum capacity when placed in direct sunlight. When you install your Solar Power system, try to position your photovoltaic panels directly under the noontime sun for maximum efficiency ...



## Solar Panel Initiative , Rhode Island Attorney General's Office

The residential solar panel industry in Rhode Island often involves three different companies: a sales company, an installation contractor or company, and a financing company. Solar Panel ...

## High Voltage Solar Battery



## Contact Us

---

For catalog requests, pricing, or partnerships, please visit:  
<https://vdbconstruction.co.za>