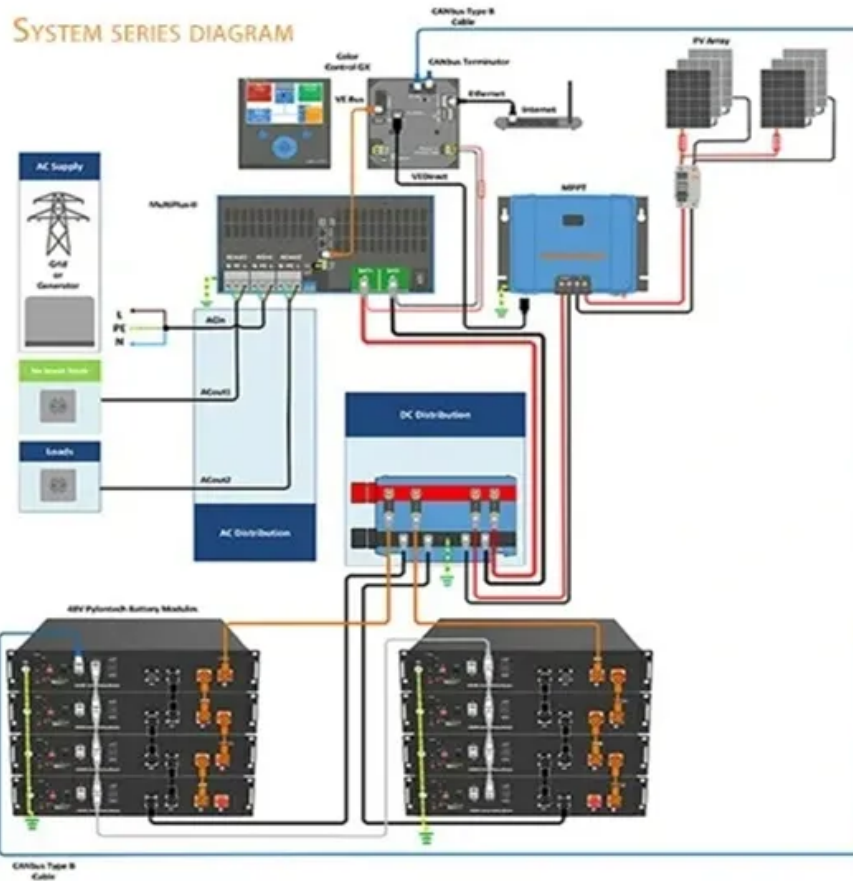


Is rooftop solar power generation suitable





Is rooftop solar power generation suitable

50KW modular power converter

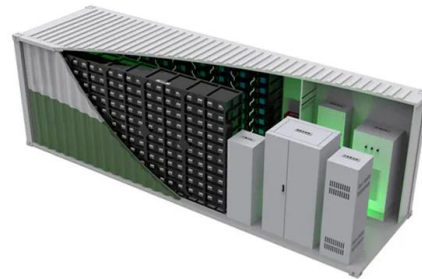


Solar Rooftop Installation , ZunRoof , India's No.1 Solar Rooftop ...

An on-grid solar rooftop setup, also known as a grid-tied or grid-connected system, is a solar power generation system that is directly connected to the electric grid. It utilizes solar panels to ...

The potential of rooftop solar energy: 40% of total U.S

Solar panels installed on residential and commercial rooftops are a tremendous opportunity to distribute electricity generation locally and diversify power sources. A new NREL ...



Grid Connected Rooftop Solar Photo-Voltaic Power Plants

MNRE has indexed a target to attain 175 GW of renewable energy which would consist of 100 GW from solar energy, 10 GW from bio-power, 60 GW from wind power, and 5 ...

Mapping Potential Roof Spaces Suitable for Solar Power Generation ...

numbers each roof area and cross-references with the spreadsheet. Roof areas are ordered so that the smallest id number 1 relates to the roof with the highest potential for solar power ...



Is My Roof Suitable For Solar Panels?

South-facing roofs receive the most direct sunlight especially during peak hours which translates to optimal energy generation and efficiency for your solar panels. to ...

Evaluation of Rooftop Photovoltaic Power Generation Potential ...

Photovoltaic (PV) power generation is booming in rural areas, not only to meet the energy needs of local farmers but also to provide additional power to urban areas. Existing ...



Rooftop Solar Pros and Cons For Indian Homes (2024)

India receives an average of 4-7 kWh per square meter of solar radiation daily, which translates to about 300 sunny days a year. Thus, India is very suitable for generating ...



Research status and application of rooftop photovoltaic Generation

Compared to thermal power generation, PV power generation emits far fewer GHGs and is considered a near-zero-emission source of electricity. Gernaat et al. (2020) ...



A city-scale estimation of rooftop solar photovoltaic potential based

The available rooftop area is extracted with a deep learning-based image semantic segmentation method. The rooftop solar PV potential and rooftop solar PV power ...

Rooftop Solar: A Perfect Fit for Commercial Buildings and Energy ...

The application of thin-film solar panels has expanded the available space. However, the initial installation cost is high, power generation relies on weather, and ...



Tata Power Solar Rooftop Panel for Home Price in India

India is on the cusp of a solar revolution and we at Tata Power Solar have been right at the forefront, leading the move towards sustainable energy solutions. Investing in rooftop solutions leads to great savings, while protecting the ...



Detailed Project Report for Installation of Grid-Connected Solar

But this load is not very suitable for solar power generation systems as the load is only during night time. The final sizes of the proposed Typical load of rooftop solar power plant is about ...



Assessing the Suitability of Rooftop Solar Photovoltaic Systems ...

Detecting the existing solar PV systems is useful in a broad range of applications including electricity-generation prediction, power-plant-production management, ...

Solar panels

Solar panels, or photovoltaics (PV), capture the sun's energy and convert it into electricity to use in your home. Installing solar panels lets you use free, renewable, clean electricity to power your appliances. You can sell ...



Sooriyabala Sangaramaya , Sri Lanka Sustainable Energy Authority

The "Rooftop Solar PV Power Generation Project" provides electricity consumers with long-term debt financing for installation of rooftop solar photovoltaic power generation systems in Sri ...



Project Sunroof

Project Sunroof is a solar calculator from Google that helps you map your roof's solar savings potential. Learn more, get an estimate and connect with providers. Enter a state, county, city, or zip code to see a solar estimate for the area, ...



Guideline on Rooftop Solar PV System Installation for Utilities.

consumers to join in power generation by installing small solar power plants established on the rooftops of their houses to meet their energy requirements. It was expected to add 200 MW of ...

'Untapped potential' of commercial buildings could revolutionise ...

Solar is the most popular form of power generation amongst the British public and consumer demand has never been higher, though the rate of rooftop installation must ...



Estimation of Rooftop Solar Photovoltaic Potential Based on High ...

Buildings are important components of urban areas, and the construction of rooftop photovoltaic systems plays a critical role in the transition to renewable energy ...





A method for evaluating both shading and power generation ...

1 A method for evaluating both shading and power generation effects 2 of rooftop solar PV panels for different climate zones of China 3 Dengjia Wang a*, Ting Qi a, Yanfeng Liu a, Yingying ...

SUPPORT REAL-TIME ONLINE MONITORING OF SYSTEM STATUS



Assessment of Rooftop Solar Power Generation to Meet Residential Loads

The study develops a techno-economic model of rooftop PV with battery storage suitable for existing residential building types likely to be built in Neom city (villas, traditional ...

Solar Rooftop Solutions from Tata Power

Call at 1800 25 77777 to get the best in class solar rooftop solutions from Tata Power. We also provide easy financing option for our customers. Book Your Free Solar Survey; Tata Power Solarroof higher generation & increased savings. ...

1mwh (500kw/1mwh)
AIR COOLING ENERGY STORAGE CONTAINER



Solar Rooftop Calculator: How Many Solar Panels Can Fit On Roof...

That's why we have created these two very useful resources for everybody who wants to figure out how much solar power can their roof generate: Solar Rooftop Calculator. Here you ...



Are Solar Panels Suitable For Your Roof?

Determining if your roof is suitable for solar panels with a solar panel suitability checker is a critical first step in your solar installation journey. Products & Services. In North ...



Rooftop solar power

A rooftop solar power system, or rooftop PV system, is a photovoltaic (PV) system that has its electricity-generating solar panels mounted on the rooftop of a residential or commercial building or structure. [1] The various components of ...

Rooftop Solar: A Sustainable Energy Option for Bangladesh

On the other hand, residential, industrial, commercial and government buildings can provide enormous rooftop space which can be used to implement for solar power ...



Solar Rooftop Panel for Home

India is among the nations with the highest sustainable or renewable power generation rates. As of 2019, renewable energy sources accounted for 35 percent of the nation's installed power ...



Assessment of Rooftop Solar Power Generation to Meet Residential Loads

N. Assessment of Rooftop Solar Power Generation to Meet Residential Loads in the City of Neom, Saudi Arabia. *Energies* 2021, 14, 3805. model of rooftop PV with battery storage ...



Solar Rooftop Potential

Solar rooftop potential for the entire country is the number of rooftops that would be suitable for solar power, depending on size, shading, direction, and location. Rooftop potential is not ...

Contact Us

For catalog requests, pricing, or partnerships, please visit:
<https://vdbconstruction.co.za>