

Latest trends in solar power generation table





Latest trends in solar power generation table

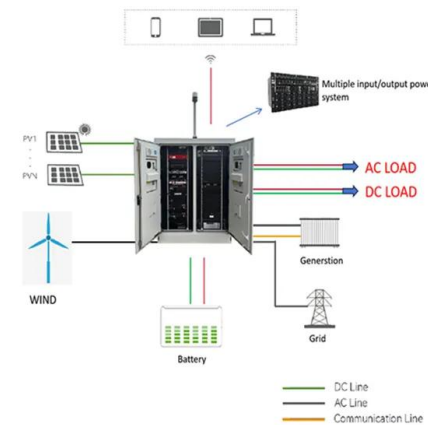


A bibliometric evaluation and visualization of global solar power

The results indicate a stable global increase in publications on solar power generation and a rise in citations, reflecting growing academic interest. Table 2 displays the ...

Solar power continues to surge in 2024

Even forecasts made by industry analysts in 2024 still have strikingly differing predictions for how solar power will grow this year. Reviewing solar outlooks from prominent ...



Super-efficient solar cells: 10 Breakthrough Technologies 2024

But perovskites have stumbled when it comes to actual deployment. Silicon solar cells can last for decades. Few perovskite tandem panels have even been tested outside. The ...



Solar Panel Statistics, Facts, and Trends of 2024

Discover the latest global solar panel statistics, facts, and trends of 2024. Stay informed about the rise of solar power worldwide. Solar panels are the most popular method ...



Latest advances on hybrid solar-biomass power plants

History and future projection of Power generation energy consumption by region, (quadrillion British thermal units) (Administration USEI 2020 International Energy ...



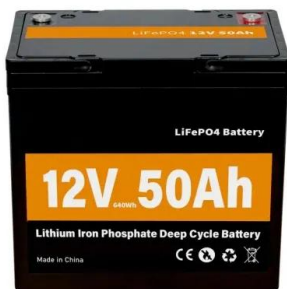
Solar power generation

Latest; Resources. About; Subscribe. Donate. Data. Electricity generation from solar power. Ember and Energy Institute. See all data and research on: Energy. "Data Page: Electricity generation from solar power", ...



Frontiers , Concentrating Solar Power Technologies: A ...

The current paper presents a bibliometric study of the technologies related to the power generation concentrating solar plants, trying to shed light on the present, past, and ...





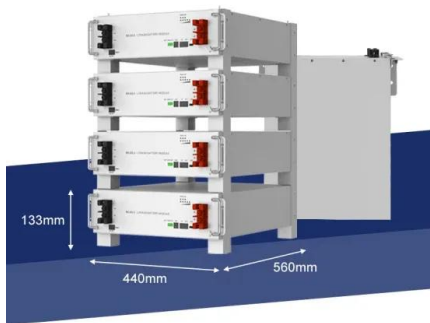
Solar has been largest source of new U.S. generating capacity for ...

Solar was 99.6% of new capacity in August and 78.3% during the first eight months of 2024. The new solar capacity added from January through August this year was ...



The Latest Advances in Solar Panel Technology: ...

Bifacial solar panels are reshaping the world of renewable energy. These panels can make more energy, introducing new trends in solar technology. Fenice Energy is exploring this field, finding increasing demand ...



Emerging Issues and Challenges with the Integration of Solar Power

Table 11.1 Solar power plants penetration problems and suggested future solutions
Advanced smart inverter and DER functions requirements in latest european grid ...



Time Series Prediction of Solar Power Generation Using Trend

The solar power generation domain produces time series data, characterized by the collection of data points at fixed time intervals. One of the specific challenges of solar ...





Solar Energy Industry Outlook 2024

Distributed Solar Power Generation is experiencing the fastest growth among the top trends in the solar energy industry. With 476 companies identified, this sector employs 68000 people, ...



Executive summary - Renewables 2023 - Analysis

In 2023, an estimated 96% of newly installed, utility-scale solar PV and onshore wind capacity had lower generation costs than new coal and natural gas plants. In addition, three-quarters of new wind and solar PV plants offered cheaper ...



Solar Overview , MINISTRY OF NEW AND RENEWABLE ENERGY

Further, solar energy sector in India has emerged as a significant player in the grid connected power generation capacity over the years. It supports the government agenda of sustainable ...



Commercial and Industrial ESS

Air Cooling / Liquid Cooling

- Budget Friendly Solution
- Renewable Energy Integration
- Modular Design for Flexible Expansion



A Decade of Growth in Solar and Wind Power: Trends Across the ...

The most solar power generation came from California (68,816 GWh) and Texas (31,739 GWh) in 2023. Growth trends in solar and wind power over the past decade (2014 ...



Spring 2024 Solar Industry Update

PV Power Applications in China, 2021. o In 2023, solar contributed 59% of new generation capacity in China (235 GW dc to 277 GW dc /207 GW ac) and 20% of cumulative capacity ...



Solar

During COP26, held in November 2021, India announced new 2030 targets of 500 GW of total non-fossil power capacity and 50% renewable electricity generation share (more than double the 22% share in 2020), as well as net ...

Solar Panel Statistics, Facts, and Trends of 2024

Utility-scale PV power plants accounted for 70% of total solar electricity generation in 2022. Expected global growth rate of 27% between 2021 and 2031. When they break down, 90%-97% of solar panel materials can be ...




-  Extreme Light Weight
-  Extended Cycle life
-  Low Self Discharge
-  Superior Cranking Power
-  Completely Sealed
-  Environmental

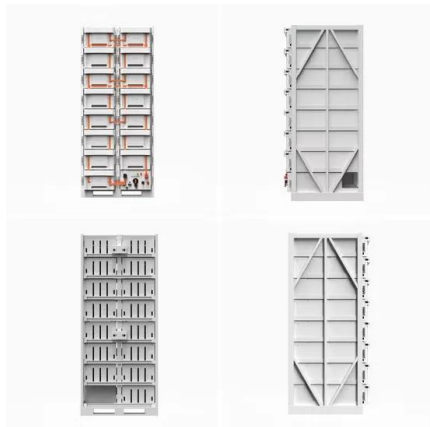
Solar Energy Market Trends , Latest Industry Updates

Last year was a big one for solar energy in India. A record 32.4 gigawatts of new solar power was added in 2023. This is a remarkable achievement. Large-Scale Solar ...



A Decade of Growth in Solar and Wind Power

The most solar power generation came from California (68,816 GWh) and Texas (31,739 GWh) in o Growth trends in solar and wind power over the past decade (2014-2023) Texas led the ...



Solar Energy Trends to Watch in 2024

3. Scaling Up. Large-scale solar projects are becoming increasingly prominent. These massive installations offer several advantages: Cost-Effectiveness: Economies of scale ...

The Latest Innovations in Solar Inverter Technology

This article explores the latest innovations in solar inverter technology, highlighting advancements that enhance efficiency, grid support, and system integration, positioning solar inverters as key to the renewable energy ...



Solar Energy Trends: Explore the Latest Innovations

India's solar energy capacity has soared over 800% in the last decade. This jump solidifies India's global standing in renewable energy. The uptick marks the start of a new era, with even more changes on the horizon.



Latest Solar Energy and Technology Advancements

Key Takeaways. The solar energy industry is undergoing a revolutionary transformation, driven by advancements in photovoltaic (PV) technology. India's solar power capacity has grown by an impressive 300% in ...



35 Latest Solar Power Statistics, Charts & Data

Key Facts. The world currently has a cumulative solar energy capacity of 850.2 GW (gigawatts).; 4.4% of our global energy comes from solar power.; China generates more ...

Renewable Power Generation Costs in 2023

The most dramatic decline has been seen for solar PV generation; the LCOE of solar PV was 56% less than the weighted average fossil fuel-fired alternatives in 2023, having been 414% more expensive in 2010. Renewable power ...



Product Model
HJ-ESS-215A(100KW/215KWh)
HJ-ESS-115A(50KW 115KWh)
Dimensions
1600*1280*2200mm
1600*1200*2000mm
Rated Battery Capacity
215KWH/115KWH
Battery Cooling Method
Air Cooled/Liquid Cooled



Contact Us

For catalog requests, pricing, or partnerships, please visit:
<https://vdbconstruction.co.za>