

# **National Photovoltaic Energy Storage Test Platform Shares**





## Overview

---

Where does NextEnergy invest in solar PV assets?

The Company invests in solar PV assets primarily in the United Kingdom. It seeks to acquire sole ownership of individual solar PV assets through special purpose vehicles (SPVs). Its investment adviser is NextEnergy Capital Limited.

What is NextEnergy solar share price?

It has a market capitalisation of £429.32m, with approximately 583.32m shares in issue. Over the last year, NextEnergy Solar share price has been traded in a range of 23.80, hitting a high of 94.10, and a low of 70.30. NextEnergy Solar PLC is a British solar energy investment company, established in 2014.

What is NextEnergy Solar plc?

NextEnergy Solar PLC is a British solar energy investment company, established in 2014. As a renewable energy infrastructure fund, it invests in solar power assets across the UK. NextEnergy Solar aims to generate stable and sustainable income by harnessing the power of the sun through photovoltaic installations.

What is NextEnergy Solar Fund Limited?

As of Nov 9, 2024. Values delayed up to 15 minutes NextEnergy Solar Fund Limited is a renewable energy investment company.

Where is NextEnergy solar listed?

NextEnergy Solar is listed in the FTSE All-Share, FTSE 350 High Yield, FTSE 250, FTSE 350 indices. Nextenergy Solar Fund Limited Red Ord Npv is listed on the London Stock Exchange trading with ticker code NESF.L. It has a market capitalisation of £429.32m, with approximately 583.32m shares in issue.

Why should you invest in OECD-based solar energy infrastructure assets?



It seeks to provide ordinary shareholders with attractive risk-adjusted returns, principally in the form of regular dividends, by investing in a diversified portfolio of primarily the United Kingdom and Organization for Economic Co-operation and Development (OECD)-based solar energy infrastructure assets.



## National Photovoltaic Energy Storage Test Platform Shares

---



### Experimental investigation of solar photovoltaic operated ice ...

In order to achieve that ice thermal storage completely replaces battery bank to store solar energy, the ice thermal storage type air-conditioning system driven by solar ...

### Performance investigation of solar photovoltaic systems ...

Renewable energy technology has become the most demanded energy resource due to its sustainability and environmentally friendly energy [6, 7] addition, ...

### 12.8V 200Ah



### The first outdoor demonstration platform for photovoltaic and energy ...

"From a more macro perspective, the outdoor empirical research on key equipment, products and systems of photovoltaic and energy storage can provide a public service platform for the ...

### Network-Side Power Optimization Control Considering Photovoltaic ...

With the high density and high speed development of electrified railways, it is urgent to carry out green and efficient transformation of its energy structure [1, 2]. Electrified ...

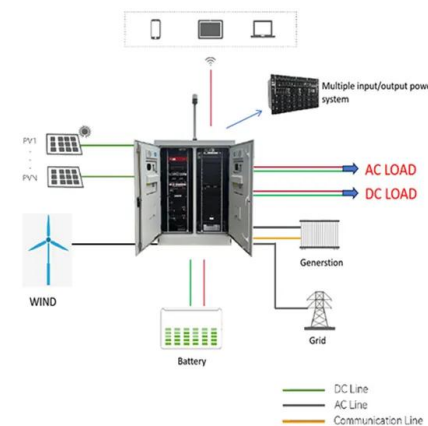


### Energy storage system entered the world's first photovoltaic energy

Share to: Date:2022-06-21 Article Source: Located in the National Photovoltaic energy Storage Experimental platform in Daqing, Heilongjiang Province, rows of blue photovoltaic panels are ...

### Stellantis Launches Multi-Energy Platform , ESG Review

Stellantis NV (Stellantis) unveiled the STLA Frame platform, a battery electric vehicle (BEV)-native, multi-energy platform engineered for full-size body-on-frame pickup ...



### Photovoltaic Plant and Battery Energy Storage System ...

In this work, we focused on developing controls and conducting demonstrations for AC-coupled PV-battery energy storage systems (BESS) in which PV and BESS are colocated and share a ...





### Data From China National PV and Energy Storage Experimental ...

The meeting focused on the sharing of the first three quarters experimental data to develop PV & energy storage industry and provide empirical, experimental, testing and ...



### Battery energy storage analytics platform Modo Energy secures ...

Modo Energy, a data analytics platform provider for grid-scale battery energy storage system (BESS) analysts, raised \$15 million to expand into the United States, starting ...

### VIPERLAB, Fully connected virtual and physical perovskite photovoltaics ...

Call: H2020-INFRAIA-2020-1; Type of action: RIA; Proposal number: 101006715; Proposal acronym: VIPERLAB; Duration (months): 42 Proposal title: Fully connected virtual and ...

18650 3.7V  
RECHARGEABLE BATTERY  
Li-ion  
2000mAh



### CALB provides energy storage system for the world's first PV and energy ...

Alxa Right Banner Photovoltaic Energy Storage Project . Use the "photovoltaic sand control+energy storage" scheme, the first energy storage project in Alxa Right Banner . ...





### (PDF) Levelized cost of electricity for solar photovoltaic and

With the increasing technological maturity and economies of scale for solar photovoltaic (PV) and electrical energy storage (EES), there is a potential for mass-scale ...



### Automatic test platform for photovoltaic grid ...

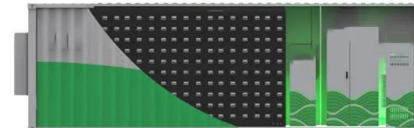
To quantify the potential for performance improvements of photovoltaic-diesel (PV-diesel) hybrid energy systems, a test facility has been installed at the Centre for Renewable Energy Systems

### Applications



### Simulation test of 50 MW grid-connected "Photovoltaic+Energy storage"

Literature [5] proposed a two-layer optimal configuration model for PV energy storage considering the service life of PV power generation and energy storage, using the ...



### China's Largest Wind Power Energy Storage Project Approved for ...

On August 27, 2020, the Huaneng Mengcheng wind power 40MW/40MWh energy storage project was approved for grid connection by State Grid Anhui Electric Power ...



### **Offshore photovoltaic platform: innovation in solar energy**

Offshore photovoltaic platform: innovation in solar energy A consortium led by engineering firm Tractebel and dredging firms DEME and the Jan De Nul Group have ...



### **International Development of Energy Storage Interoperability Test**

As variable, non-dispatchable photovoltaic power continues to displace traditional generation assets, additional resources are needed to control bulk and local power systems. ...

### **An assessment of floating photovoltaic systems and energy storage**

According to a life cycle assessment used to compare Energy Storage Systems (ESSs) of various types reported by Ref. [97], traditional CAES (Compressed Air Energy ...



### **Design and Development of an Open Test Platform for High ...**

Therefore, a Photovoltaic energy storage system test platform based on STM32 is designed, the purpose is to provide an open test platform for the Photovoltaic energy ...



## Monitoring Platforms for Solar Photovoltaic Systems

For the size and type of PV systems typical of federal facilities, a budget of \$1,000/year would be a reasonable expectation of a software platform subscription cost. Details of cost and features ...



### Support any customization

Inkjet    Color label    LOGO



## [National Institute of Solar Energy](#)

National Institute of Solar Energy Autonomous Institute under Ministry of New and Renewable Energy Government of India. Login/Register. × National Institute of Solar Energy, (NISE) ...

## Design and Development of an Open Test Platform for High ...

Therefore, a Photovoltaic energy storage system test platform based on STM32 is designed, the purpose is to provide an open test platform for the Photovoltaic energy storage system ...



## A Critical Inertia of Photovoltaic system with Battery Energy Storage

Request PDF , On Oct 26, 2022, Nidhal Mdini and others published A Critical Inertia of Photovoltaic system with Battery Energy Storage System: experimental microgrid platform ...



## Test Platform for Photovoltaic Systems with Integrated Battery Energy

We present a hybrid simulation and a real-time test platform for developing control systems for photovoltaic (PV) inverters with integrated battery energy storage (BES). The platform consists ...



## Contact Us

---

For catalog requests, pricing, or partnerships, please visit:  
<https://vdbconstruction.co.za>