

Off grid battery system cost breakdown in Turkey 2026





Off grid battery system cost breakdown in Turkey 2026



The True Cost of Off-Grid Living: A Comprehensive ...

Learn how to accurately calculate the true cost of off-grid living, including the upfront expenses and ongoing maintenance requirements. Discover the pros and cons of each system and material, and get expert tips for maximizing energy ...

Off-Grid Solar Costs in Canada 2025 , Pricing ...

Wondering how much it costs to go off-grid in Canada? Explore real estimates, trusted brands like Victron Energy & Pylontech and Volts Energies' expert installs.



ESS



[How Much Does Battery Charge Cost](#)

The cost to charge a battery depends on its type, size, and local electricity rates. Small devices like smartphones cost pennies, while EVs may cost \$10-\$30 per full charge. ...

Cost Projections for Utility-Scale Battery Storage: 2023 Update

Executive Summary In this work we describe the development of cost and performance projections for utility-scale lithium-ion battery systems, with a focus on 4-hour duration ...



Off Grid Battery Energy Storage System Charting Growth ...

The off-grid battery energy storage system (BESS) market is experiencing robust growth, driven by increasing demand for reliable power in remote areas and rising ...



Increasing Turkey's power system flexibility for grid integration of ...

Assessing the power system with a full system cost analysis will help to estimate the cost optimal generation mix and the portfolio of flexibility measures needed for different ...



The True Cost of Off-Grid Living: A Comprehensive Breakdown

Learn how to accurately calculate the true cost of off-grid living, including the upfront expenses and ongoing maintenance requirements. Discover the pros and cons of each system and ...





5. Designing and Modeling Off-Grid Solar Systems

REopt determines the cost-optimal sizing and dispatch of generation and storage technologies for grid-connected sites or off-grid microgrids. REopt can be used to meet economic, resilience, ...

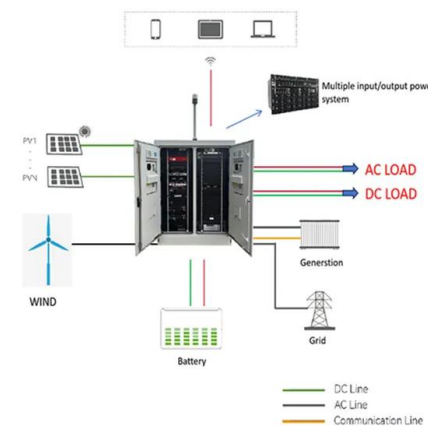


Battery Energy Storage Off-grid System Analysis 2025-2033: ...

The off-grid battery energy storage system (BESS) market is experiencing robust growth, driven by increasing electricity demands in remote areas, rising concerns about ...

Behind the numbers: BNEF finds 40% year-on-year ...

Turnkey systems, excluding EPC and grid connection costs, saw their biggest reduction since BNEF's survey began in 2017. Image: BNEF. BNEF analyst Isshu Kikuma discusses trends and market dynamics impacting the ...



Off-Grid Solar Power Cost: 2024 Pricing Breakdown & 2025 ...

Wondering how much off-grid solar power costs? This guide breaks down pricing, hidden fees, and ways to save--plus how EcoVault's DIY kits cut costs by 30%.



11 DIY Off Grid Electrical Systems That Power True Independence

Learn how to build a reliable DIY off-grid electrical system with solar panels, batteries, and inverters. Step-by-step guide to achieving energy independence sustainably.



[Off-Grid Battery Systems: Power Beyond Limits](#)

Why Off-Grid Energy Storage Is Revolutionizing Self-Sufficiency Imagine living where power outages last weeks or where grid connections simply don't exist. Off-grid battery systems aren't ...



11 DIY Off Grid Electrical Systems That Power True ...

Learn how to build a reliable DIY off-grid electrical system with solar panels, batteries, and inverters. Step-by-step guide to achieving energy independence sustainably.



Key Differences Between On Grid, Off Grid, and Hybrid Battery Systems

In recent years, battery energy storage systems (BESS) have emerged as crucial components of modern power systems, offering a range of benefits from grid stabilization to ...





Germany Off-Grid Energy Storage Systems Market size 2026

Germany's off-grid energy storage systems market is poised for a CAGR exceeding 10% through 2033, driven by robust demand in rural electrification, disaster ...



Battery Energy Storage Off-grid System Report 2025: Growth ...

The off-grid battery energy storage system (BESS) market is experiencing robust growth, driven by increasing demand for reliable power in remote areas and the ...



Solar Off-Grid Lithium Battery Banks & Backup ...

Home solar panel systems need a way to store all the energy they produce, which requires effective, efficient and powerful solar battery banks. BigBattery off-grid lithium battery banks are made from LiFePO4 cells, which are the best energy ...



Top Off Grid Solar Power Systems: The Ultimate Guide for 2025

In off-grid solar systems, charge controllers are essential for safeguarding the battery bank against overcharging. They manage both voltage and current from the solar ...



Ankara Power Battery Energy Storage: Powering Turkey's ...

If you're reading this, chances are you're either an energy geek wondering how Ankara Power Battery Energy Storage (BESS) projects are reshaping Turkey's grid, a project ...

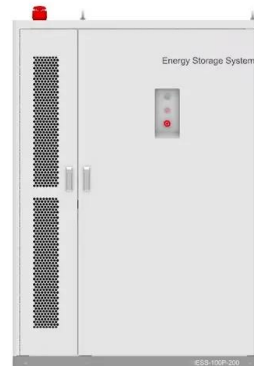


[The Best Off-Grid Battery Storage Solutions](#)

When it comes to living off the grid, having a reliable and efficient battery storage system is essential. Luckily, there are numerous innovative solutions available, from lithium-ion batteries to flow batteries, ...

Residential Battery Storage , Electricity , 2022 , ATB

This work incorporates base year battery costs and breakdown from the report (Ramasamy et al., 2021) that works from a bottom-up cost model. The bottom-up battery energy storage systems (BESS) model accounts for major ...



2026 Tesla Model 2 is NOW Here: Elon Musk's Game OVER For ...

Packs five times the energy of traditional 2170 cells. Reduces manufacturing costs drastically, offering a \$50 per kWh cost advantage over competitors. Tesla's 60 kWh ...



On-Grid and Off-Grid Hybrid Renewable Energy System Designs ...

In this study, hybrid renewable energy systems were designed to minimize the cost of electrical energy and harmful gas emissions in line with environmental and economic ...



Off Grid Solar System Setup Guide Batteries, Panels & Cost Breakdown

Looking to go off-grid with solar power? In this video, we walk you through everything you need to know about setting up your own off-grid solar system--whether it's for a home, office, or Shop.

BESS Costs Analysis: Understanding the True Costs of Battery

Battery Energy Storage Systems (BESS) are becoming essential in the shift towards renewable energy, providing solutions for grid stability, energy management, and ...



Contact Us

For catalog requests, pricing, or partnerships, please visit:
<https://vdbconstruction.co.za>