

Photovoltaic Energy Storage System After-Sales Service Department





Photovoltaic Energy Storage System After-Sales Service Department



Efficient energy storage technologies for photovoltaic systems

Over the past decade, global installed capacity of solar photovoltaic (PV) has dramatically increased as part of a shift from fossil fuels towards reliable, clean, efficient and ...

(PDF) Economic Evaluation of Photovoltaic and Energy Storage

Energy storage systems (ESS) employed with domestic PV systems have been investigated in [12], which was shown to be economically viable by self-consumption of the ...



[Solar Power Generation and Energy Storage](#)

This chapter presents the important features of solar photovoltaic (PV) generation and an overview of electrical storage technologies. The basic unit of a solar PV generation system is a ...

Photovoltaic Systems and Energy Storage Systems Manufacturer

We are a global focused service provider of photovoltaic energy storage systems, providing a full range of products such as Lithium Batteries, Solar inverters, and Industrial & Commercial ...



18650 3.7V
RECHARGEABLE BATTERY
Li-ion
2000mAh

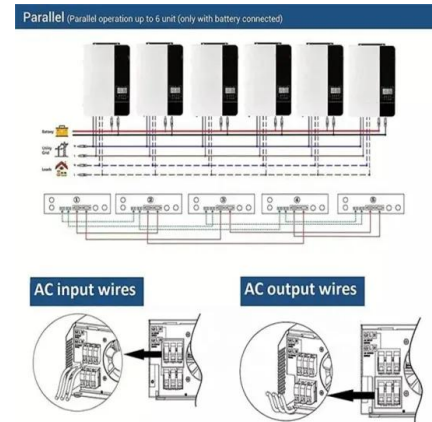


Shenzhen Skyworth Photovoltaic Technology Co.,ltd.

Skyworth PV is a new energy IOT company integrating development, design, construction, operation, management and consulting services. We are committed to building a smart clean ...

U.S. Solar Photovoltaic System and Energy Storage Cost ...

The U.S. Department of Energy's (DOE's) Solar Energy Technologies Office (SETO) aims to accelerate the advancement and deployment of solar technology in support of an equitable ...



Best Solar Panels in Jamaica

SolarSpecialistJA is powered by Green Lantan Energy® Jamaica's best source for solar energy systems. Our customers enjoy the lowest prices for Solar Water Heaters, After Sales ...



After Sales Management

Specialising in after sales management for manufacturers of photovoltaic systems, suncycle offers the complete chain of services. From multilingual technical customer support via 1st to 3rd level support, right down to on-site ...

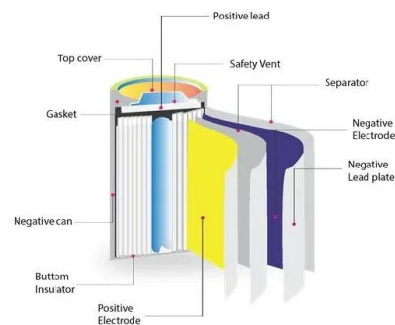


Subsidy Policies and Economic Analysis of Photovoltaic Energy Storage

In the context of China's new power system, various regions have implemented policies mandating the integration of new energy sources with energy storage, while also ...

ENERGY STORAGE

One-stop-shop offer incl. After-sales service; Take advantage of our B2B shop, the excellent opportunity, with the high-quality BMZ energy storage "Made in Germany" to increase the own ...



Simulation test of 50 MW grid-connected "Photovoltaic+Energy storage"

The configuration of the energy storage system of the "photovoltaic + energy storage" system is designed based on the "peak cutting and valley filling" function of the ...



Leading Innovations in Photovoltaic Systems , PVSYS

sales@pv-system +86 17821615616. English Español France. Home; About us; Products. Solar Panel; Our solar products and solar system are convenient for customers to maintain ...



[Federal Solar Tax Credits for Businesses](#)

Overview. There are two tax credits available for businesses and other entities like nonprofits and local and tribal governments that purchase solar energy systems (see the Homeowner's Guide to the Federal Tax Credit for Solar ...

U.S. Solar Photovoltaic System and Energy Storage Cost ...

Energy, LLC, for the U.S. Department of Energy (DOE) under Contract No. DE-AC36-08GO28308. Funding provided by the U.S. Department of Energy Office of Energy Efficiency ...



Energy Storage Systems for Photovoltaic and Wind Systems: A ...

The study provides a study on energy storage technologies for photovoltaic and wind systems in response to the growing demand for low-carbon transportation. Energy ...



Sizing Optimization of a Photovoltaic Hybrid Energy Storage System

An energy storage system works in sync with a photovoltaic system to effectively alleviate the intermittency in the photovoltaic output. Owing to its high power density ...



Energy Storage Management of a Solar Photovoltaic

An optimal multitask control algorithm and the storage units of modeled power generation sources were executed with the HOMER software application to improve the ...



RAYSTECH (TIANJIN) PV ENERGY CO., LTD.-About Us

We have warehouses and after-sales service centers in Australia, New Zealand, Thailand, and South Africa, with an office in the Czech Republic. and industrial power plants, as well as ...



[Solar Photovoltaic System Cost Benchmarks](#)

The representative utility-scale system (UPV) for 2024 has a rating of 100 MW dc (the sum of the system's module ratings). Each module has an area (with frame) of 2.57 m² and a rated ...



Cworth Energy, solar panel, solar battery, Solar street light, solar

2. Solar energy storage systems can help you save money 3. Solar energy storage systems can help you make money 4. Low maintenance cost of solar energy storage system Cworth ...



U.S. Solar Photovoltaic System and Energy Storage Cost ...

3 U.S. Department of Energy Solar Energy Technologies Office. PV and energy storage system configurations and installation practices. Bottom-up costs are efforts, our MMP benchmarks ...

Harnessing Solar Power: A Review of Photovoltaic ...

The paper examines key advancements in energy storage solutions for solar energy, including battery-based systems, pumped hydro storage, thermal storage, and emerging technologies.



A comprehensive survey of the application of swarm intelligent

Battery energy storage technology is a way of energy storage and release through electrochemical reactions, and is widely used in personal electronic devices to large ...



Analysis of Photovoltaic Plants with Battery Energy Storage Systems (PV)

Photovoltaic generation is one of the key technologies in the production of electricity from renewable sources. However, the intermittent nature of solar radiation poses a ...



[Energy Storage and Photovoltaic Systems](#)

Department of Technology, Faculty of Sciences and Technology, University of Khemis-Miliana, The NiCd batteries are usually used for the starter systems and standby service. 8.2.2 ...



Photovoltaic Energy Storage System After-Sales Service

The prompt is clear, detailed, and provides specific instructions for creating an illustrated diagram of a home photovoltaic energy storage system's after-sales service plan. It includes key ...



Solar Battery Storage Installation , Solar Service ...

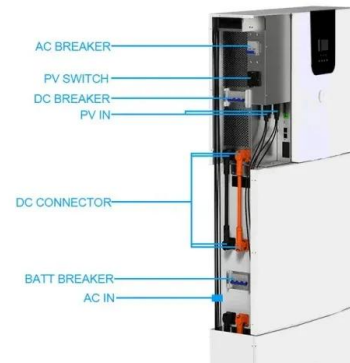
With an energy storage system, you can optimise the use of your solar PV panels by storing surplus energy generated during the day for later use. Whether it's to power your home at night or keep essential appliances running during a ...





(PDF) Battery Energy Storage for Photovoltaic Application in ...

Therefore, there is an increase in the exploration and investment of battery energy storage systems (BESS) to exploit South Africa's high solar photovoltaic (PV) energy ...



Contact Us

For catalog requests, pricing, or partnerships, please visit:
<https://vdbconstruction.co.za>