

Photovoltaic bracket rear inclined installation specifications





Overview

What is a power rail PV module mounting system?

The PV module mounting system engineered to reduce installation costs and provide maximum strength for parallel-to-roof, tilt up, or open structure mounting applications. The POWER RAIL mounting system is designed with the professional PV solar installer in mind.

What is a roof mounted photovoltaic system guidance?

The guidance refers only to the mechanical installation of roof mounted integrated and stand-off photovoltaic systems; it provides best practice guidance on installation requirements and does not constitute fixing instructions.

Are solar stack roof mounting systems ul 2703 listed?

Solar Stack Roof mounting systems are UL 2703 listed. Standard for safety UL/ANSI 2703, Mounting Systems, Mounting devices, Clamping/Retention Devices and Ground lugs for use with PV modules. Solar Stack systems have been evaluated for module-to-system bonding and mechanical load to the requirements of UL/ANSI 2703.

Are all PV products covered by IEC61730 'photovoltaic (PV) module safety qualification'?

In future it is expected that all PV products will increasingly be covered by International standard IEC61730: 2004 'Photovoltaic (PV) module safety qualification'.

How to understand solar mounting system's datasheet?

When aiming to understand solar mounting system's datasheet, professionals must be wary of common pitfalls: Overlooking Environmental Factors: Ensure that the mounting system is suitable for the local climate and geography. Ignoring Compatibility: Check that the mounting system is compatible with the



solar panels and the installation site.

Can a racking system be used to ground a PV module?

This racking system may be used to ground and/or mount a PV module complying with UL 1703 only when the specific module has been evaluated for grounding and/or mounting in compliance with the included instructions. The system is a non-separately derived system.



Photovoltaic bracket rear inclined installation specifications

[INSTALLATION MANUAL OF PHOTOVOLTAIC MODULE](#)



Do not install modules in strong wind. Do not use or install broken modules. Do not contact the module surface if the front or rear glass is broken. This may cause electric shock. Do not ...

A Full Guide to Photovoltaic Array Design and Installation

Under a PPA, the solar power producer builds, maintains, and operates a solar power system, while the consumer only pays for the electricity produced by the system. By ...



Inclined Platform Lift Installation Instructions

Butler Inclined Platform Wheelchair Lift Installation Guide The Butler Inclined Platform Wheelchair Lift (IPL) is precisely manufactured precisely to the specifications on the standard analysis ...

Solar Panel Wind Load Calculation ASCE-7-16 , SkyCiv

A fully worked example of Ground-mounted Solar Panel Wind Load and Snow Pressure Calculation using ASCE 7-16. With the recent trends in the use of renewable ...



Brackets for solar panels: supports for fixing the solar panel ...

This is a specific stainless steel solar panel bracket for bent tiled roofs, 5mm thick with an adjustment from 6 to 9.5 cm. This adjustable high bracket is suitable for all roofs with pitched ...

Roof Mounting Brackets for Solar Panels , All Roof Types

Roof Mounting Solutions Valsa's Roof mounting brackets and structures provide a solution for the installation of solar panels onto all types of roofs i.e. c Discover the best roof mounting brackets for solar panels at Valsa. tips for green ...



 LFP 280Ah C&I

Structure design and analysis of integrated photovoltaic power ...

Under three typical working conditions, the maximum stress of the PV bracket was 103.93 MPa, and the safety factor was 2.98, which met the strength requirements; the hinge joint of 2 rows ...





Summary of the solar panel clamp knowledge in detail

The inclined plane mounting bracket is mainly used to install photovoltaic modules on the inclined plane. Factors such as the slope and material of the inclined plane, as ...



Necessary accessories for PV installation: brackets

Photovoltaic bracket can be classified in the form of connection mode, installation structure and installation location. According to the connection form, it is divided into welding type and assembly type; according to the installation structure, it ...



Photovoltaic ground bracket installation options

The installation selection of photovoltaic ground brackets is mainly based on factors such as the fixing method of the bracket, terrain requirements, material selection, and the weather ...



Improving solar photovoltaic installation energy yield using ...

With more than 700 GW p of installed capacity as of 2020, 1 solar photovoltaic (PV) systems have grown to be significant contributor to global energy mix in recent years. ...





Evaluating the real-world performance of vertically installed ...

1 Introduction. The rising need for eco-friendly and renewable energy solutions has amplified the focus on photovoltaic (PV) systems. Bifacial PV (BiPV) panels, among these ...



A systematic literature review of the bifacial ...

The following keywords were combined in different ways for the search: solar energy, photovoltaic, bifacial PV modules, bifacial gain, monofacial PV module, front irradiance, rear irradiance, bifaciality factor, energy yield, ...



????????????? Guidance Notes for Solar Photovoltaic (PV) System Installation

Installation of Solar PV Systems in New Territories Exempted Houses (NTEH) (commonly known as village houses) 5.3 ?????????????????? Installation of Solar PV Systems in ...



Improving solar photovoltaic installation energy yield using ...

gain relative to fixed inclined monofacial installation. iii. Determine the influence of ground clearance height and albedo on the specific energy yield on the bifacial installation. ...





Understanding Solar PV Racking Structures and ...

Solar panel bracket: The solar panel is mounted on top of the bracket, usually using specially designed clamp kit or clips to secure the panel to the bracket. Racking installation method: divided from the connection method, ...



A systematic literature review of the bifacial photovoltaic module ...

The following keywords were combined in different ways for the search: solar energy, photovoltaic, bifacial PV modules, bifacial gain, monofacial PV module, front ...

PV Mounting Systems

Front rail with small adapter and cylinder head bolt for installation at the front side of the PV module. Rear HS rail Lift Rail with pre-assembled large adapter for installation at the rear side ...



Solar Panel Bracket, Solar Panel Roof Mount Mounting Stand, ...

Solar Panel Bracket, Solar Panel Roof Mount Mounting Stand, Adjustable PV Fixings, Improve the Efficiency of the Solar Panel, for Solar Roof Installation, Compatible 100-400W,1set : ...



The influence factors of the installation inclination ...

When the fixed solar mounting bracket is used, the average daily solar radiation received by the inclined surface of the photovoltaic module is the largest when the installation inclination angle of the photovoltaic module is ...



Brackets for Fixing Photovoltaic and Solar Panels on Tiles.

Sun-Age designs and produces the most efficient fixing systems for structure on tile roofs, such as the innovative BEE33 UNIVERSAL BRACKET which saves costs and installation times on ...

Solar Mounting Systems

The primary factors in any photovoltaic (PV) system installation are the solar panels as they are the devices that transform solar energy into electricity. Renusol Renusol Corrugated ...



[INSTALLATION MANUAL OF PHOTOVOLTAIC MODULE](#)

Do not install modules in strong wind. Do not use or install broken modules. Do not contact the module surface if the front or rear glass is broken. This may cause electric shock. - Do not ...





Solar Rooftop Mounting Buyer's Guide 2022 , Solar Builder

Fill the pilot hole with sealant and use either a 6mm Hex Driver or a 1/2" Hex Socket Driver to install the Lag Screw with Sealing Washer. For decking application, locate the ...

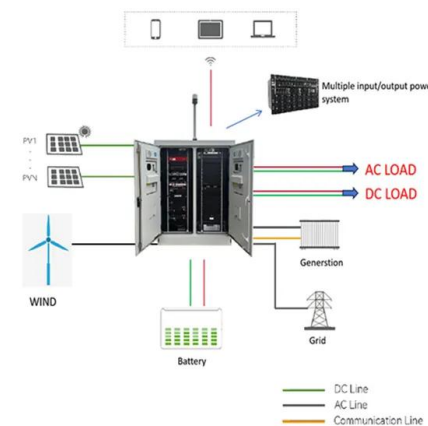


[PV Solar Roof and Structure Mounting Systems](#)

The PV module mounting system engineered to reduce installation costs and provide maximum strength for parallel-to-roof, tilt up, or open structure mounting applications. The POWER RAIL ...

Solar Photovoltaic: SPECIFICATION, CHECKLIST AND GUIDE

Renewable Energy Ready Home SOLAR PHOTOVOLTAIC SPECIFICATION, CHECKLIST AND GUIDE i. Table of Contents. About the Renewable Energy Ready Home Specifications.



Ultimate Guide to Photovoltaic Installation: Step-by-Step ...

Avoiding the Most Common Mistakes in PV Installation When installing photovoltaic (PV) systems, common mistakes can have serious consequences. Poor performance, safety risks, and ...



Contact Us

For catalog requests, pricing, or partnerships, please visit:
<https://vdbconstruction.co.za>