

# Renewable energy directory





## Renewable energy directory

---



- ✓ 50KW/100KWH
- ✓ HIGHER POWER OUTPUT IN OFF-GRID MODE
- ✓ CONVENIENT OPERATION & MAINTENANCE
- ✓ PRE-WIRED

### Renewable Energy , Journal , ScienceDirect by Elsevier

The journal, Renewable Energy, seeks to promote and disseminate knowledge on the various topics and technologies of renewable energy systems and components. The journal aims to serve researchers, engineers, economists, manufacturers, NGOs, associations and societies to help them keep abreast of new developments in their specialist fields and to apply alternative ...

### Executive summary - Renewables 2023 - Analysis

The world is on course to add more renewable capacity in the next five years than has been installed since the first commercial renewable energy power plant was built more than 100 years ago. In the main case forecast in this report, almost 3 700 GW of new renewable capacity comes online over the 2023-2028 period, driven by supportive policies in more than 130 countries.



### [Renewable energy statistics 2024](#)

The International Renewable Energy Agency (IRENA) produces comprehensive, reliable datasets on renewable energy capacity and use worldwide. Renewable energy statistics 2024 provides datasets on power-generation capacity for 2014-2023, actual power generation for 2014-2022 and renewable energy balances for over 150 countries and areas for 2021-2022.

### [Recharge , Latest renewable energy news](#)



Read Recharge for the best news, analysis and opinion covering the renewable energy transition, led by wind and solar My Alerts Keep up with all the articles that matter to you and get real-time updates straight to your inbox. Click on the topics to add to My

Single Phase Hybrid

5 Year Warranty Period

5 Year Global Leading Inverter Brand

Top 3 World Single Phase PV Inverter Supplier

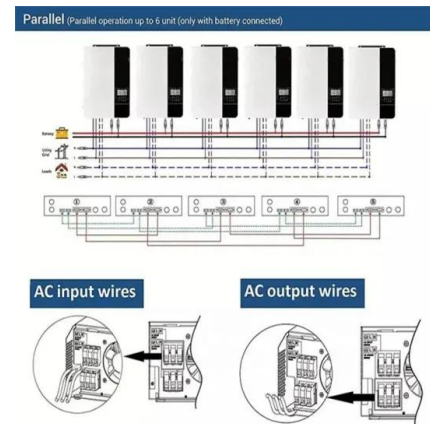


### [Global overview - Renewables 2024 - Analysis](#)

Renewables 2024 - Analysis and key findings. A report by the International Energy Agency. In 2030, variable renewables account for two-thirds of global renewable electricity generation, rising from less than 45% today. Over the forecast period, the share of solar PV

### Renewable Energy

Renewable energy sources are growing quickly and will play a vital role in tackling climate change. Share of primary energy that comes from hydropower This interactive chart shows the share of primary energy that comes from hydropower. Note that this data is



### Telephone Directory of the Government of the HKSAR And ...

Remarks: 1.For those calling from places outside Hong Kong, please dial the area code "852" before the telephone number (not applicable to overseas offices). 2.Click the name of officer/enquiry for further information. 3.All data on this website are provided and



## Understanding the U.S. Renewable Energy Market: A Guide for

renewable electricity than Germany, Japan, and the United Kingdom combined. Wind currently dominates the U.S. renewables mix, accounting for 43.2 percent of the United States' utility-scale renewable electricity production, or 337.9 billion kWh responsible for



## Renewable Energy Project Development Resource Directory

The Renewable Energy Project Development Resource Directory provides a curated list of solar project development resources for higher education and local government, including case studies, guidance, fact sheets, presentations, templates, and more.



## MINISTRY OF NEW AND RENEWABLE ENERGY

Indian Renewable Energy Development Agency Limited (IREDA) is a Mini Ratna (Category-I) non-banking financial institution under the administrative control of Ministry of New and Renewable Energy (MNRE). IREDA is engaged in

...

**TAX FREE**

### ENERGY STORAGE SYSTEM

**Product Model**  
HJ-ESS-215A(100KW/215KWh)  
HJ-ESS-115A(50KW 115KWh)

**Dimensions**  
1600\*1280\*2200mm  
1600\*1200\*2000mm

**Rated Battery Capacity**  
215KWH/115KWH

**Battery Cooling Method**  
Air Cooled/Liquid Cooled

## Promotion and Development of Renewable Energy

Renewable Energy (RE) offers proven alternatives to the burning of fossil fuels for power generation. The Government is committed to the development of RE in Hong Kong with a view to further improving our air quality.



## Renewable Energy Project Development Toolbox , US EPA

Searchable directory contains 100s of resources to understand the issues throughout the renewable energy project development process. Explore our full directory of project development resources in the table below. To help refine your search results, you may use



### [Renewables 2024 - Analysis](#)

Renewables 2024 - Analysis and key findings. A report by the International Energy Agency. This edition of the IEA's annual Renewables market report provides forecasts for the deployment of renewable energy technologies in electricity, transport and heat to 2030

## ????? , UNEP

For the 760 million people in the world who lack access to electricity, the introduction of modern clean energy solutions can enable vital services such as improved healthcare, better ...



## Staff Directory , NREL

The National Renewable Energy Laboratory is a national laboratory of the U.S. Department of Energy, Office of Energy Efficiency and Renewable Energy, operated by the Alliance for Sustainable Energy LLC.





## EMSD HK RE NET

Renewable Energy (RE) Potential in Hong Kong. In the "Hong Kong's Climate Action Plan 2050" published in October 2021, we have set out Hong Kong's RE potential as follows: To expedite ...



### [The history of renewable energy](#)

Renewable energy is critical to combatting climate change and global warming. The use of clean energy and renewable energy resources--such as solar, wind and hydropower--originates in early human history; how the world has harnessed power from these resources to meet its energy needs has evolved over time.

## Executive summary - Renewables 2023 - Analysis

Over the coming five years, several renewable energy milestones are expected to be achieved: In 2024, wind and solar PV together generate more electricity than hydropower. In 2025, ...



## Renewable Energy Project Development Resource Directory

The full directory of renewable energy project development resources in a table that can be filtered and sorted. Explore our full directory of project development resources in the table below. To help refine your search results, you may use the filter and sorting table



### 5 Major Types of Renewable Energy

Non-renewable fossil fuels (coal, crude oil, and fracked gas) supply people with about 80% of all energy consumed globally and in the United States. Their burning releases carbon dioxide, a major greenhouse gas that's accelerating climate change. Nuclear energy is a second type of non-renewable energy that makes up only 2% of global energy, but 8% in the U.S.



### **Official Website of Uttar Pradesh New and Renewable Energy ...**

Site contents owned, maintained and updated by Uttar Pradesh New and Renewable Energy Development Agency, Government of Uttar Pradesh, India. While surfing through this page you will come across directories/links to different web sites. The contents of



LFP 12V 100Ah

### **Renewable energy**

Renewable energy (or green energy) is energy from renewable natural resources that are replenished on a human timescale. The most widely used renewable energy types are solar energy, wind power, and hydropower. Bioenergy and geothermal power are also significant in some countries. are also significant in some countries.



### **The renewable energy role in the global energy Transformations**

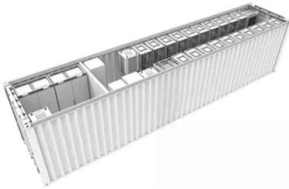
Evaluating the Role of Renewable Energy in Energy Transition: the final aspect of the methodology is evaluating how renewable energy can play a transformative role in the global energy transition. This involves assessing its impact on reducing dependence on fossil fuels, contributing to economic growth, and meeting sustainability goals.





### MSc Renewable Energy Systems

Whether from technical and scientific disciplines, economics, or law - the MSc Renewable Energy Systems program prepares you to lead the energy sector into a more sustainable future. With over 25 years of industry experience and expertise, this program is your crucial career step to answer the growing demand for qualified personnel.



### **Contact Us , MINISTRY OF NEW AND RENEWABLE ENERGY**

2 ???· Ministry of New and Renewable Energy (MNRE) Atal Akshaya Urja Bhawan, CGO Complex, Lodhi Road, New Delhi - 110003, India  
MNRE Officers Directory MNRE Officers Directory(123 kb, PDF) SECI Officers Directory IREDA Officers Directory NIWE Officers

## **Contact Us**

---

For catalog requests, pricing, or partnerships, please visit:  
<https://vdbconstruction.co.za>