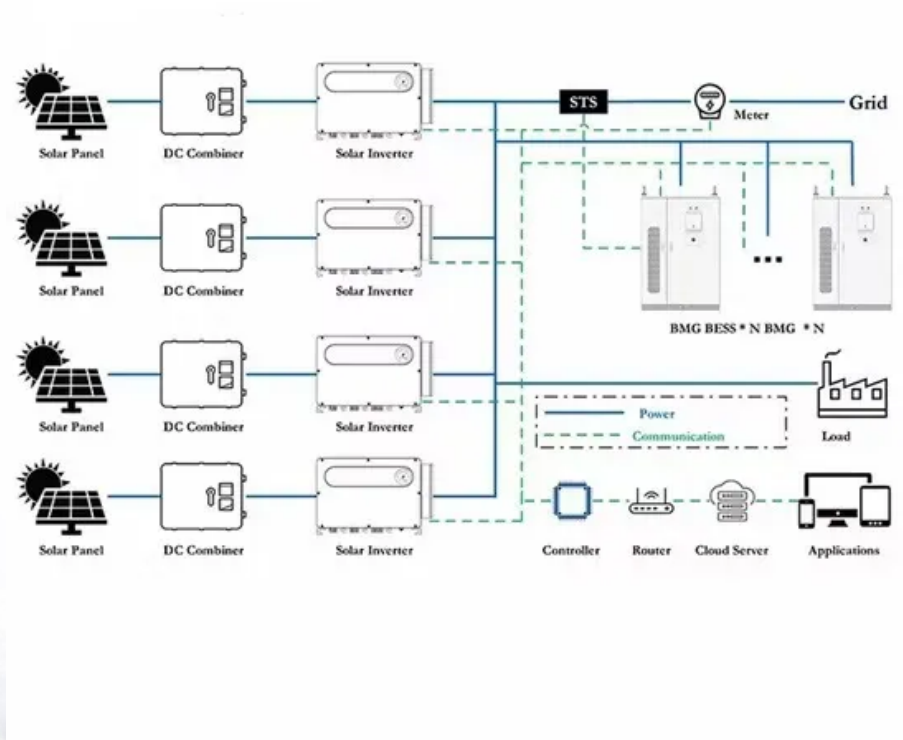


Successful bid price of commercial energy storage project in Canada 2025





Overview

What is the fastest growing energy storage technology in Canada?

BESS is the fastest growing energy storage technology in Canada and is also the dominant storage technology in terms of capacity and number of sites. All but four projects proposed to be commissioned by 2030 are battery storage, with two CAES and two PHS projects also proposed.

Where is the largest battery energy storage system in Canada?

The Hagersville Battery Energy Storage park, located in Haldimand County, Ontario, Canada, will be the largest battery energy storage system (BESS) project to date in Canada. The project is expected operational in Q4 of 2025.

What is the largest storage-based procurement in Canada?

The IESO issued the largest storage-based procurement in Canada in February 2023 with the Expedited Long-Term 1 RFP (the ELT1). The ELT1 resulted in a total of 739 MW of utility-scale storage being procured, with in-service dates in 2026. The weighted average price for successful proponents was approximately CAD836/MW.

When did energy storage start in Canada?

The first energy storage project in Canada, the Sir Adam Beck Pump Generating Station, came online in 1957. However, the next project did not come online until 2013. There are three main types of energy storage currently commercially available in Canada:

How big is Canada's energy storage capacity?

Global energy storage capacity was estimated to have reached 36,735MW by the end of 2022 and is forecasted to grow to 353,880MW by 2030. Canada had 138MW of capacity in 2022 and this is expected to rise to 296MW by 2030. Listed below are the five largest energy storage projects by capacity in Canada, according to GlobalData's power database.



Are utility-scale energy storage systems coming to Canada?

By Kristyn Annis Chair, Energy Storage Canada Partner, Border Ladner Gervais, Toronto February 19, 2024 The last three years have seen utility-scale energy storage systems proliferate in Canada like never before.



Successful bid price of commercial energy storage project in Canada

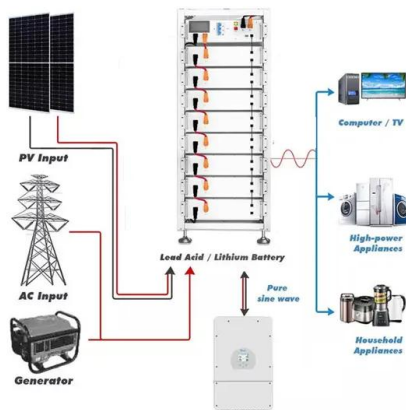


Battery Energy Storage Systems (BESS) Frequently ...

January 14, 2025 In October 2023, the Independent Electricity Systems Operator (IESO) put out a call for proposals for new Battery Energy Storage Systems (BESS). Through this competitive procurement process, known as the Long ...

List of Upcoming Battery Energy Storage System (BESS) Tenders & Bid

Search all the battery energy storage system (BESS) projects, bids, RFPs, ICBs, tenders, government contracts, and awards in Canada with our comprehensive online database.



2025 Energy Predictions: Battery Costs Fall, Energy ...

Experts predict what 2025 holds for U.S. energy policy: EV battery costs fall, energy storage demand surges, carbon removal hits scale, permitting reform in D.C.

Energy Storage in 2025: What's Hot and What's Next?

The energy storage landscape is changing quickly as scientists work to create better and longer-lasting storage solutions. Experts are focused on improving smart grids to ensure that electricity systems work well and are.



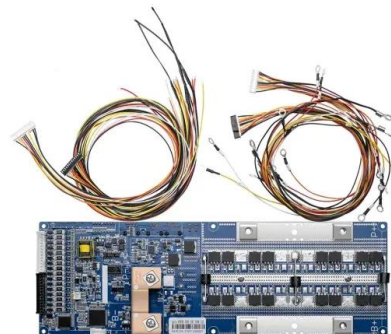
Energy Storage Industry Trends: C& I Energy Storage Market Outlook to 2025

With the transformation of the global energy structure and the rapid development of renewable energy, the commercial and industrial energy storage (C& I ESS) market will see ...



[Capacity Investment Scheme Tender 3 Update](#)

Since our last update on the Capacity Investment Scheme (CIS) in May 2024, the Australian Government has released a Market Brief on the upcoming CIS Tender 3 which is scheduled to open for registrations and bid ...



Cost Projections for Utility-Scale Battery Storage: 2023 ...

Executive Summary In this work we describe the development of cost and performance projections for utility-scale lithium-ion battery systems, with a focus on 4-hour duration ...



Oneida Energy Storage Project Commences Commercial ...

The Oneida Energy Storage Project has officially commenced commercial operations, becoming the largest grid-scale battery energy storage facility in operation in ...



Oneida Energy Storage

250 MW/1,000 MWh Oneida Energy Storage Project Commences Commercial Operations TORONTO, May 7, 2025 - The Oneida Energy Storage Project ("Oneida") has officially entered commercial operations, becoming the ...

2025 Predictions for the Energy Storage Sector Following a ...

Energy storage deployment across North America broke records in 2024, driven by falling battery prices, increased system efficiencies, and growing market opportunities. ...



[Energy Storage: 10 Things to Watch in 2024](#)

By Yayoi Sekine, Head of Energy Storage, BloombergNEF Battery overproduction and overcapacity will shape market dynamics of the energy storage sector in 2024, pressuring prices and providing headwinds for ...



ENERGY STORAGE

The Department has launched the third bid round under the Battery Energy Storage Independent Power Producers Procurement Programme (BESIPPPP), calling for 616 MW of new generation capacity will be procured ...



Oneida Energy Storage

Overview Oneida Energy Storage facility is a 250 MW/1,000 MWh lithium-ion battery energy storage facility, representing the largest grid-scale battery energy storage facility in Canada and within the top five clean energy storage projects ...

250 MW/1,000 MWh Oneida Energy Storage Project Commences Commercial

TORONTO, May 07, 2025 (GLOBE NEWSWIRE) -- The Oneida Energy Storage Project ("Oneida") has officially entered commercial operations, becoming the largest battery energy ...



The Real Cost of Commercial Battery Energy Storage in 2025 , GSL Energy

Discover the true cost of commercial battery energy storage systems (ESS) in 2025. GSL Energy breaks down average prices, key cost factors, and why now is the best time ...



The story of US energy storage

If all of the energy storage-related requests for proposal (RFPs), site applications, and other utility proposals that were active at the end of 2024 take shape, US utilities will add more than 18.5 GW of energy storage capacity.

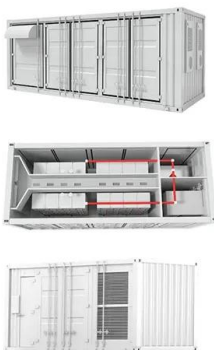


Ontario backs 7 battery storage projects, natural gas ...

Ontario's Independent Electricity System Operator (IESO) has unveiled its largest procurement of battery energy storage projects to date and a new investment into its natural gas network.

Canada's largest battery storage facility opens ahead ...

The Oneida Energy Storage Project has officially commenced commercial operations. The project was completed ahead of schedule and under budget and is the largest battery energy storage facility in operation in Canada. ...



The Real Cost of Commercial Battery Energy Storage ...

With fluctuating energy prices and the growing urgency of sustainability goals, commercial battery energy storage has become an increasingly attractive energy storage solution for businesses. But what will the ...



Oneida Energy Storage Project Commences ...

By integrating advanced energy storage solutions with meaningful Indigenous partnerships, this project enhances Ontario's clean energy grid and sets a global benchmark for sustainable infrastructure development ...



'Foundational' shifts for BESS in CAISO & ERCOT ...

A 137MW BESS connected to the California grid by RWE in 2023. Image: RWE. There will be 'foundational' shifts in the US' two largest renewables and energy storage markets this year, California (CAISO) and ...

Latest News -- Energy Storage Canada

Ontario Energy Association and Energy Storage Canada Support Widespread Adoption of Distributed Energy Resources (DERs) Toronto, ON - December 9, 2024 - Today the Ontario ...



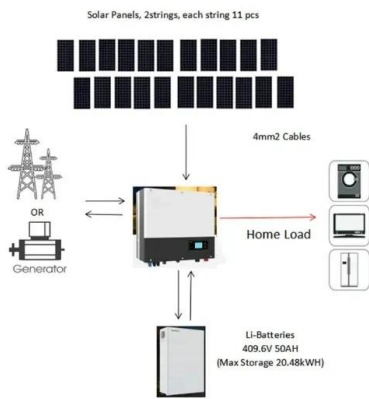
A 2025 Update on Utility-Scale Energy Storage ...

While the energy storage market continues to rapidly expand, fueled by record-low battery costs and robust policy support, challenges still loom on the horizon--tariffs, shifting tax incentives, and supply chain uncertainties ...



Powering Up: Indigenous-led Oneida Energy Storage ...

The Oneida Energy Storage Project has officially commenced commercial operations, becoming the largest grid-scale battery energy storage facility in operation in Canada and one of the largest globally. Located in ...



Ontario to Rely on Battery Storage to Meet Rising ...

A notable example is the Hagersville Battery Energy Storage Park, which, upon completion, will be the largest such project in Canada. The success of these procurement efforts highlights the growing importance of BESS in Ontario's ...

Oneida Energy Storage Project "charts The Path For ...

May 7, 2025 - With 278 lithium-ion units now drawing and storing power from Ontario's grid, the Oneida Energy Storage Project has officially entered commercial operation, becoming the largest battery energy storage facility in ...



Contact Us

For catalog requests, pricing, or partnerships, please visit:
<https://vdbconstruction.co.za>