

The manufacturer of solar photovoltaic panels





Overview

What are the world's seven largest solar manufacturers?

1. Tongwei Solar (TW-Solar) Tongwei Solar (TW-Solar), a subsidiary of the Chinese Tongwei Group, sits at the top of the list as the largest solar panel manufacturer in the world. 2. JA Solar . 3. AIKO . 4. LONGi . 5. JinkoSolar . 6. Canadian Solar . Who is the largest solar panel manufacturer in the world?

Tongwei Solar (TW-Solar) is the largest solar panel manufacturer in the world. TW-Solar shipped a whopping 38.1GW of solar modules in 2022, doubling Trina Solar's shipments and achieving an annual revenue of USD \$20.57 billion (£16.2 billion). In August 2023, Tongwei Group made history as the first solar PV company on the Fortune Global 500 list.

Who makes British solar panels?

British Brand Global Solar PV panel and products manufacturer and installer in over 21 global locations. All your solar products, one manufacturer. UK Solar Power offers free solar project design & British advance replacement warranties. For more information please write to info@uksolarpower.com.

Who makes solar panels?

SOLARWATT is a pioneering solar panel manufacturer. With over 30 years of experience, this German company is known for its reliable products. In addition, their solar panels are exceptionally well-crafted to endure harsh environmental factors such as hail, snow, and even sandstorms.

What are the top 20 solar panel manufacturers in the world?

The top 20 solar panel manufacturers in the world include Sunpower, Hanwha Q Cells, and RECSolar due to their overall performance.

Who makes the best solar panels?

Sharp: Most well-established solar manufacturer with a long history of



producing quality solar technology. Panasonic: One of the solar panel manufacturers most concerned with a greener future. SOLARWATT: One of the best manufacturers for solar panels with protection against environmental influences. Amerisolar: Best solar panels for a lower budget.

What are the best solar panels manufacturers in the UK?

In no particular order, here are the top 10 solar panels manufacturers whose products are available in the UK today: Project Solar: The best manufacturer in terms of warranty (offering a warranty period of 99.9 years). REA Solar: Provides solar panels with high power output. SunPower: Best manufacturer in terms of product variety.



The manufacturer of solar photovoltaic panels



Top 15 Solar Panel Manufacturers in China (Update 2024)

Location (Headquarters): Shenzhen, China Year Established: 2013. Primroot is a leading-edge professional solar panels & inverter manufacturer based in the high-tech hub of ...

UKSOL , The British Solar PV Module Producer

Britain's leading Solar PV panel exporter. UKSOL produces high quality Solar PV modules with a 30 year warranty. is an export champion for the British Government and have recently ...

LPSB48V400H
48V or 51.2V

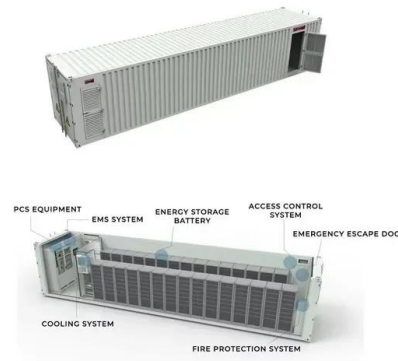


Top 10 Solar Panel Manufacturers in the UK (November 2024)

Project Solar: The best manufacturer in terms of warranty (offering a warranty period of 99.9 years).; REA Solar: Provides solar panels with high power output.; SunPower: ...

American-made solar panels: Who are the top ...

First Solar Ohio-based First Solar is the largest manufacturer of solar panels in the U.S., producing about 50% more panels than the next-biggest American-made brand. The company mainly produces panels for commercial ...

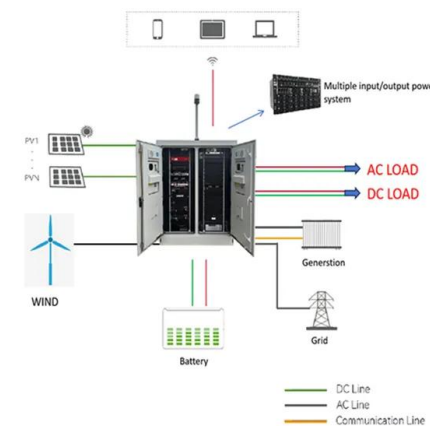


Top 5 American solar panel manufacturers in 2024

In the U.S., the company manufactures solar panels at two facilities in Washington with a combined manufacturing capacity of 800 megawatts (MW). In 2023, Silfab introduced its latest ...

Best Solar Panels: Which One Should You Choose?

Panasonic. Best for roofs with tight spaces. Panasonic is most commonly known in the U.S. as a TV and small appliance manufacturer, but the Japanese company is also a global leader in solar panels. In 2021, Panasonic ...



Dualsun SPRING: the leading hybrid solar (PVT) panel

A 2-in-1 innovation A combination of photovoltaic and thermal solar energy that produces at least 2 times more energy than a conventional photovoltaic panel.; Made in France label SPRING ...





[JinkoSolar US - Building Your Trust in Solar](#)

An ideal solar panel manufacturer offers three key attributes: quality products, operational efficiency, and an unconditional commitment to its customers. Many manufacturers today offer ...



Solar Panels, Solar Energy and Panel Manufacturers , Trina Solar

Ranked as one of the world's most bankable solar manufacturers by Bloomberg New Energy Finance, Trina Solar is the manufacturer you want for your solar panels. Toggle navigation

Top solar panel brands in performance, reliability, and ...

The Renewable Energy Test Center (RETC) released its 2023 PV Module Index report, evaluating the reliability, quality, and performance of solar panels. Solar modules are put through a variety of



[Largest Manufacturer of Solar PV Modules](#)

Waaree's PV modules are currently manufactured using multicrystalline, monocrystalline, and TOPCon technology. Waaree Energies is India's largest solar panel manufacturer, with an ...



[List of photovoltaics companies](#)

Monocrystalline solar cell. This is a list of notable photovoltaics (PV) companies. Grid-connected solar photovoltaics (PV) is the fastest growing energy technology in the world, growing from a ...



DualSun: French manufacturer of hybrid and PV solar ...

Reduce heating costs by combining SPRING hybrid solar panels with a heat pump or other heat system. 4x more energy. For the solar panel / heat pump heat solution, the Dualsun SPRING panel produces 4 times more energy per m2 ...

PV Solar products Manufacturer, Solar Panel Suppliers India - ...

At JA Solar we specialize in multi-form photovoltaic (PV) power plants, including conventional centralized PV power plants, Agri Voltaics, Floating Solar PV power plants, and and other ...



Solar panel manufacturers in the United States

4 ???· This is a current grouping of solar manufacturers in the United States that produce solar panels and their associated materials for the traditional residential, commercial and utility ...



[Solar Panels: Browse And Compare Products](#)

Most solar panels today have efficiencies ranging from 15% to 20%, but some manufacturers sell panels that exceed 20% efficiency ratings. Solar panel cost The cost of a solar panel ...



[Best Solar Panels For Homes Of 2024](#)

2 ???· As the maker of the highest-power residential solar panels among reviewed manufacturers, Canadian Solar is more than just another panel maker. One of the company's many solar panel models can



Top Solar Panel Manufacturers , Largest PV module suppliers

Several hundreds solar companies are engaged in production of solar cells and panels. To help you find the best manufacturer in this variety, we have listed the top solar panel makers all ...



Leaders in perovskite solar technology , Oxford PV

Built into solar panels, our tandem solar cells deliver more power per square metre - critical for enabling more affordable clean energy, accelerating the adoption of solar, ...



48V 100Ah



10 American Made Solar Panels (2024 Manufacturers List)

Solar Panel Specifications: One of the big items that you need to consider is the actual specifications of your solar panels. Because energy usage and system design can vary ...



Top 10 Solar Panel Manufacturers in India in 2024 ...

Goldi Solar is a Gujrat-based solar panel manufacturer. They have achieved a record growth from 10 MW to 500 MW in a mere 11 years in operation. They export their solar panels to 20+ countries with a workforce of ...

British Solar Panels Manufacturer , UK Solar Power Ltd , England

British Brand Global Solar PV panel and products manufacturer and installer in over 21 global locations. All your solar products, one manufacturer. UK Solar Power offers free solar project ...



Contact Us

For catalog requests, pricing, or partnerships, please visit:
<https://vdbconstruction.co.za>