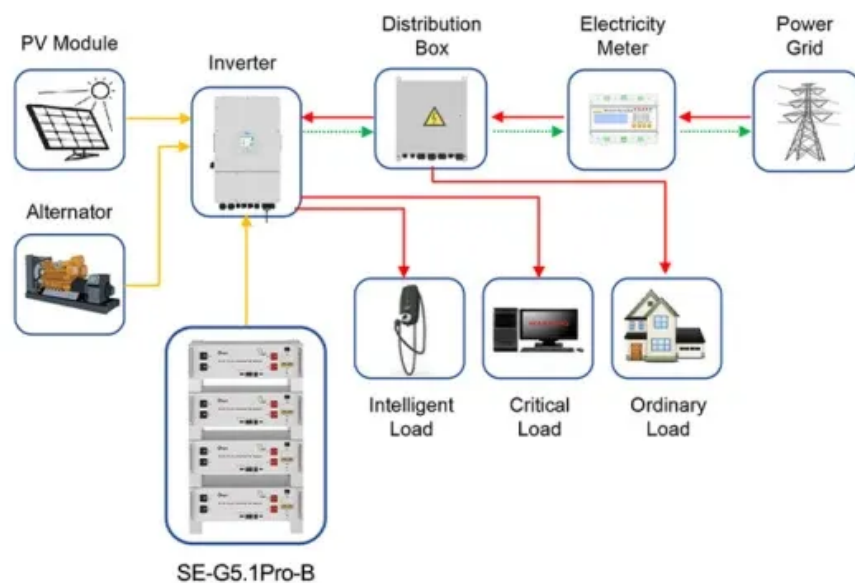


Total investment cost of residential solar battery project in Azerbaijan



Application scenarios of energy storage battery products



Overview

The total cost of the projects is estimated to exceed \$600 million. The financing agreements were signed during COP29 in Baku. Representatives from Masdar, SOCAR Green, EBRD, ADB, and AIIB participated in the signing.

The total cost of the projects is estimated to exceed \$600 million. The financing agreements were signed during COP29 in Baku. Representatives from Masdar, SOCAR Green, EBRD, ADB, and AIIB participated in the signing.

The total cost of the Bilasuvar (445 MW) and Neftchala (315 MW) solar energy projects, being financed by EBRD, ADB, and AIIB, will amount to \$670 million. The plants, commissioning of which is expected in 2027, are projected to generate more than 1.7 billion kilowatt-hours of green energy annually.

The government plans to build eight solar power plants and wind farms by 2027, with a total investment of AZN4.8 billion (\$2.8 billion) from local and foreign sources. These projects, with a combined capacity of 2GW, will produce 5.3 billion kWh of electricity annually, saving 1.2 billion cubic.

Within the framework of COP29, financing documents for two solar energy projects in Azerbaijan were signed between SOCAR Green LLC, Masdar company (UAE), European Bank for Reconstruction and Development (EBRD), Asian Development Bank (ADB), and Asian Infrastructure Investment Bank (AIIB), Report.

Azerbaijan is set to embark on the construction of eight solar and wind power plants, with a total investment of \$2.8 billion, aiming for completion by 2027, utilizing both foreign and local funding. This announcement was made by Energy Minister Parviz Shahbazov in an article published in the.

The objective of the project is to support Azerbaijan's energy transition through expansion of renewable electricity generation. The Project involves financing the development, construction, operation, and maintenance of two solar photovoltaic (PV) power plants in Azerbaijan - (i) 315 MWac Banka.

The European Bank for Reconstruction and Development (EBRD) has



announced a landmark investment at the 29th annual United Nations Climate Change Conference in Baku (COP29), financing two utility-scale solar projects alongside the Asian Development Bank (ADB) and the Asian Infrastructure Investment. Which solar projects are being built in Azerbaijan?

The installations include the 445 MW Bilasuvar PV project and the 315 MW Neftchala solar plant, both in southeastern Azerbaijan. Investors signed investment agreements for the projects in October 2023 and have since signed power purchase agreements, transmission connection agreements, and land lease agreements.

What impacts will Banka solar project have?

The ESIA reports have identified resettlement and livelihood impacts created by the Project. The LRP has been developed to mitigate the economic displacement impacts that will be created for Banka Solar. The RAP has been developed to mitigate the potential physical and economic displacement impacts that will be created for Bilasuvar Solar.

How does Banka solar affect biodiversity?

Procedures will be developed and implemented for the storage, reuse, recycling, or disposal of damaged or unused solar PV panels. With respect to the impacts on biodiversity, the Banka Solar area partly overlaps an internationally recognized key biodiversity area (KBA), specifically the Kura Delta Important Bird Area (IBA).

Will Banka solar affect bird priority biodiversity features?

CHA concluded that the development of Banka Solar will not adversely affect bird priority biodiversity features (PBFs), and no net loss will result from development of the Banka Solar to these PBFs. The Bilasuvar Solar area comes within 1 km of an internationally recognized KBA, specifically the Lake Mahmudchala IBA.



Total investment cost of residential solar battery project in Azerbaij



6 documents on green energy have been signed with Chinese ...

The investment agreement between the Government of the Republic of Azerbaijan and Universal Solar Azerbaijan LLC on the project of Gobustan solar power plant ...

Financing Agreements for 760MW of Solar Projects were signed

Documents have been signed within COP29 between SOCAR Green LLC, the UAE Masdar company, the European Bank for Reconstruction and Development (EBRD), the ...



Residential Battery Storage , Electricity , 2024 , ATB

This cost breakdown is different if the battery is part of a hybrid system with solar photovoltaics (PV) or a stand-alone system. The total costs by component for residential-scale stand-alone battery systems are demonstrated in Figure 2 for ...



Cost Projections for Utility-Scale Battery Storage: 2023 Update

The suite of publications demonstrates wide variation in projected cost reductions for battery storage over time. Figure ES-1 shows the suite of projected cost reductions (on a normalized ...



EBRD provides financing for Azerbaijan's largest ever ...

In 2023 alone, the Bank provided over EUR6.5 billion in green financing, with that funding accounting for 50 per cent of its total investment. The EBRD is also the largest institutional investor in the Caucasus and has worked ...



"Sunrise" Solar Power Plant , Azerbaijan Investment Company

As the first industrial-scale solar power initiative in Azerbaijan's liberated territories, Sunrise (Shafag) SPP also stands as the largest foreign investment project in the region to date. With ...



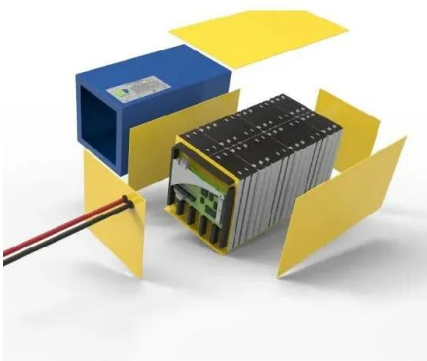
Azerbaijan: Banka and Bilasuvar 760 MW Solar PV ...

DESCRIPTION The Project involves financing the development, construction, operation, and maintenance of two solar photovoltaic (PV) power plants in Azerbaijan - (i) 315 MWac Banka solar PV power plant (Banka ...



Solar Panel Carports: Complete 2025 Guide To Costs & Benefits

1 ??· Discover everything about solar panel carports: costs (\$3.17/watt), benefits, installation process, and how they compare to rooftop solar. Updated 2025 guide.



Solarenergie Return on Investment on Investment: Was ist der ...

Residential solar power return on investment is a lot different than larger-scale projects because of cost per watt and consumption levels, and policy incentives. 6-10 kW ...

Financing Agreements for 760MW of Solar Projects ...

Documents have been signed within COP29 between SOCAR Green LLC, the UAE Masdar company, the European Bank for Reconstruction and Development (EBRD), the Asian Development Bank (ADB), and the Asian ...



Masdar starts building 760MW solar PV projects in ...

The projects are developed in collaboration with Azerbaijan's state oil company SOCAR. Image: Masdar UAE state-owned renewable energy developer Masdar has started constructing two solar PV



The Economics of Battery Storage: Costs, Savings, and ROI ...

In the United States, the investment tax credit (ITC), which offers a tax credit for solar energy systems, has been extended to include battery storage when installed in ...



[Azerbaijan battery solar battery](#)

Will Azerbaijan generate 30% of its energy by 2030? Azerbaijan has set a target of generating 30% of its energy capacity from renewables by 2030. The country's total solar capacity reached ...

The Economics of Battery Storage: Costs, Savings, ...

In the United States, the investment tax credit (ITC), which offers a tax credit for solar energy systems, has been extended to include battery storage when installed in conjunction with solar panels.



[Azerbaijan 1000 kw solar plant cost](#)

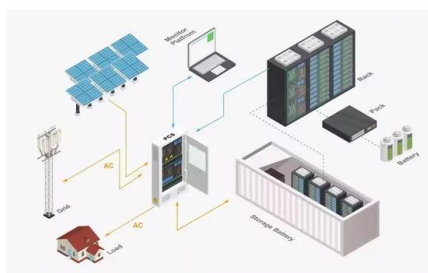
Solar Farm Cost Investment Unveiled: True Cost of Building A: The cost of a 40 MW solar power plant can range from \$22 million to \$60 million or more, depending on factors like location, ...





How Much Does a Battery Energy Storage System Really Cost?

12 ????· Estimated costs: \$700-\$1,200 per kWh installed, depending on battery type and installation complexity. Long-term savings come from peak shaving, self-consumption of solar ...



Azerbaijan: Banka and Bilasuvar 760 MW Solar PV ...

The Project involves financing the development, construction, operation, and maintenance of two solar photovoltaic (PV) power plants in Azerbaijan - (i) 315 MWac Banka solar PV power plant (Banka Solar); and (ii) ...

Azerbaijan Construction Industry Report 2025: Output to

The government plans to build eight solar power plants and wind farms by 2027, with a total investment of AZN4.8 billion (\$2.8 billion) from local and foreign sources.



Azerbaijan Energy Storage Battery Price Market Trends Cost ...

As Azerbaijan accelerates its renewable energy transition, understanding energy storage battery prices becomes critical for project planners and industry stakeholders. This article explores ...





[Azerbaijan 1000 kw solar plant cost](#)

A: The cost of a 40 MW solar power plant can range from \$22 million to \$60 million or more, depending on factors like location, labor, equipment, and project development costs. Q: What ...



Residential Battery Storage , Electricity , 2024 , ATB , NREL

This cost breakdown is different if the battery is part of a hybrid system with solar photovoltaics (PV) or a stand-alone system. The total costs by component for residential-scale stand-alone ...



Azerbaijan: Picking up pace of green energy initiative

Azerbaijan has launched the country's biggest renewable energy investment project to date: the construction of two solar plants and a wind power plant. It marks a major ...



Understanding the Cost and Savings of Solar Battery Installation: ...

At Platinum Solar, we understand that investing in solar batteries is a significant decision for homeowners and businesses alike. As the demand for renewable energy solutions ...





Solar Battery Cost: Why They're Not Always Worth It

How much do solar batteries cost? Solar battery costs vary significantly across brands. Different companies offer different battery sizes, so the easiest way to compare costs is to look at the price per kilowatt-hour ...

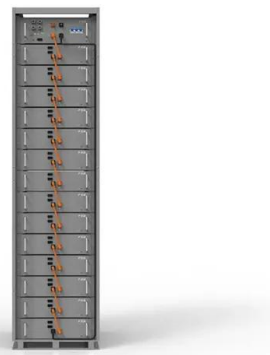


Azerbaijan powers up: \$2.8 billion investment in solar and wind

Azerbaijan is set to embark on the construction of eight solar and wind power plants, with a total investment of \$2.8 billion, aiming for completion by 2027, utilizing both ...

Financial agreements for 760 MW solar energy projects signed in

The total cost of the projects, the 445 MW Bilasuvar Solar Power Plant and the 315 MW Neftchala Solar Power Plant, financed by EBRD, ADB, and AIIB, is expected to be ...



2MW / 5MWh
Customizable

Residential vs. Commercial Battery Energy Storage Systems: ...

Confused about home vs. business battery storage? We break down the key differences in size, technology, cost, and purpose between residential and commercial BESS. ...



NREL Benchmarks the Installed Cost of Residential Solar ...

We account for all component and project-development costs incurred when installing residential systems, and we model the cash purchase price for such systems, excluding the federal ...



Azerbaijan gives green light to 760 MW of solar

Investors signed investment agreements for the projects in October 2023 and have since signed power purchase agreements, transmission connection agreements, and land lease agreements.

BESS Costs Analysis: Understanding the True Costs of Battery

Exencell, as a leader in the high-end energy storage battery market, has always been committed to providing clean and green energy to our global partners, continuously ...



[Azerbaijan launches first renewables auction](#)

The Ministry of Energy of Azerbaijan, with the support of the European Bank for Reconstruction and Development (EBRD), has announced the country's first renewable energy auction for a 100 megawatt solar power plant ...



Contact Us

For catalog requests, pricing, or partnerships, please visit:
<https://vdbconstruction.co.za>