

# Where to buy regular photovoltaic inverters





## Where to buy regular photovoltaic inverters

### [The Best Solar Inverters of 2024 In The UK](#)



The worst-case scenario for any Solar PV system is for a fire to occur. It's for this reason that safety within inverters is so important. Inverter Efficiency (PV): 97.6%; ...

### Photovoltaic Inverters: What They Are and Are They Used

Photovoltaic systems are becoming increasingly popular due to their ability to transform solar energy into electricity, reducing energy costs and contributing to environmental ...



### 12.8V 100Ah



### Fronius Primo Inverters

Fronius Primo 3.0kW single phase inverter with monitoring - £1,084.08  
Fronius Primo 3.6kW single phase inverter with monitoring - £1,147.49  
Fronius Primo 4.0kW single phase inverter with monitoring - £1,201.36  
Fronius Primo 4.6kW ...

### Solar Trade Sales

Solar Trade Sales wholesale distributors of solar PV panels, solar PV inverters, and solar PV mounting systems. Trade prices, full system design and UK delivery. 01473 276685 Open 8:00am-5:00pm Mon to Fri. 01473 276685Sales

...

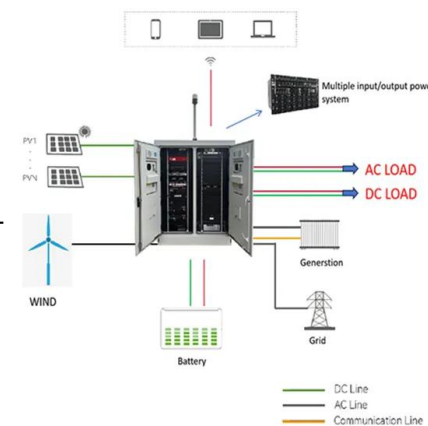


### [Micro-Inverters and Solar Panel Optimisers](#)

Image: Enphase. Introduction. Micro-inverters and power optimisers are an upgrade on traditional PV system design, by maximising the electricity generated from each individual panel. They do ...

### **Fronius Primo Inverters**

Fronius Primo Inverters. From £1,084.08. Shipping calculated at checkout. With power categories ranging from 3.0 to 8.2 kW, this single-phase, transformerless device is the ideal inverter for private households. Two MPPT for maximum ...



### **The expert guide to solar panel inverters & costs [UK, ...**

An inverter is the brains of a solar panel system, and it tracks how much electricity your panels produce. If a solar PV system comprising 12 panels had a string inverter it would cost around £1,400, whereas if it had a ...



[Solar Inverters\\_Energy Storage inverters](#)

Where to Buy PV Inverter. Video Center. Download Center. Monitoring System. PV Plant Design. After-sale Service. Bankable, Reliable, Local. PV Inverter Single Phase Inverter Three Phase ...



**Photovoltaic Inverters: What are They and How do ...**

A photovoltaic inverter, also known as a solar inverter, is an essential component of a solar energy system. Its primary function is to convert the direct current (DC) generated by solar panels into alternating current (AC) ...

**Solar inverter sizing: Choose the right size inverter**

DC/AC ratio refers to the output capacity of a PV system compared to the processing capacity of an inverter. It's logical to assume a 9 kWh PV system should be paired with a 9 kWh inverter ...



[Best Solar Power Inverters](#)

Inverter type. See our inverter overview page for more information on the different types. For small installations, the choice will be between a standard string inverter, a hybrid string inverter ...



## An Introduction to Inverters for Photovoltaic (PV) ...

How to Choose the Proper Solar Inverter for a PV Plant . In order to couple a solar inverter with a PV plant, it's important to check that a few parameters match among them. Once the photovoltaic string is designed, it's ...

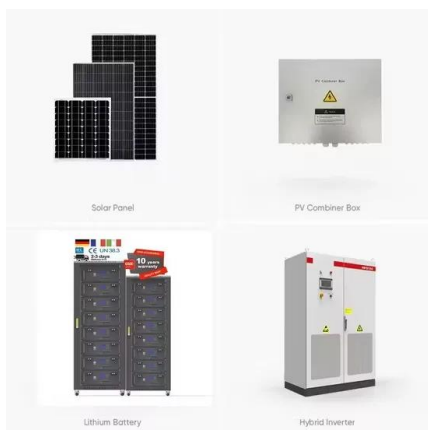


## Grid-Tied Solar Inverters

We stock a wide range of grid-tied solar power inverters to complete your PV project. View our competitive prices online or contact Sustainable about your inverter requirements today. ...

## Solar Panel Wiring Basics: Complete Guide & Tips to ...

There are two types of inverters used in PV systems: microinverters and string inverters. Both feature MC4 connectors to improve compatibility. while Leapfrog jumps a wire over a module to connect to the ...



## A Guide to Photovoltaic Systems Installation: From

This conversion is done by an inverter. The inverter is a key component of the PV system and is usually installed near the main electrical panel. Proper maintenance is crucial for ...



## Where Should I Place My Solar Inverter? - Architecture

If you have a microinverter, this will be pre-installed on the panel itself. For any other types of inverters, they should be placed where there is no direct sunlight to them. This spot should ...



## Introduction to Solar PV

Monocrystalline solar PV cells are the most efficient type of solar PV cell (rated between 15-24%), so smaller panels can produce equivalent amounts of electricity compared to other solar cell ...

## Inverter for your PV system: what you need to know

Regular maintenance ensures a long service life and efficient operation. Inverters are among the most sensitive components of a PV system and usually last ten years. Regular maintenance of ...



## Inverters: function, selection and installation tips , Viessmann AU

Regular maintenance ensures a long service life and efficient operation. Inverters are among the most sensitive components of a PV system and usually last ten years. Regular maintenance of ...



## How to pick the right Inverter: Guide from Naked Solar

Inverter sizes are expressed in kW which is normally sized lower than the kWp of an array. This is because inverters are more efficient when working at their maximum power and most of the ...



## DIY Solar Power & Energy Storage Systems , altE

Deeply Discounted 11.4kW Hybrid Inverter. Black Friday SALE! Flat Rate Shipping Over \$4,000. Get a Quote Shop Learn Installers Tech Support "Great place to buy all your solar ...

## Solar PV Inverter Replacement Cost in UK (November 2024)

Solar PV inverter replacement costs in the UK start from £500. Read more to compare prices from top solar PV inverter installers and save up to 50%! While most solar ...



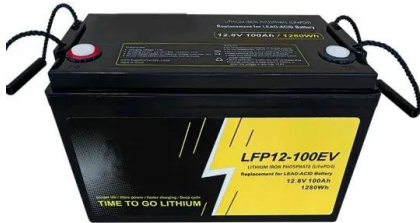
## [Top 8 Solar Inverter Suppliers in China](#)

These products include PV inverters, energy storage systems, power quality control, plant development, and other areas. In the PV sector, Sineng offers all-scenario power ...



## Solar Inverter Placement in Your Home

Choosing the right location for your solar inverter is a critical decision in the process of setting up a solar PV system for your home or business. The inverter plays a ...



## **Inverters for solar PV systems + battery storage**

After the spin-off from the traditional automotive brand KACO, we used these roots to launch the world's first transformerless solar PV inverter on the market in 1999 - and ...

## **Solar Inverters , Buy Solar PV Inverters from Segen**

Solar PV inverters are essential for any photovoltaic (PV) system that needs to utilise AC power. Their primary function is to convert the DC power generated by solar panels into usable AC ...



## **Contact Us**

---

For catalog requests, pricing, or partnerships, please visit:  
<https://vdbconstruction.co.za>